

MODEL / MODÈLE / MODELO: PB757GS, PB757GD  
PART / PIÈCE / PARTE: 10554, 10555, 10721



**OWNER'S MANUAL**  
**LE MANUEL DU PROPRIÉTAIRE**  
**EL MANUAL DEL PROPIETARIO**

## PORTABLE GAS GRIDDLE

IMPORTANT, READ CAREFULLY, RETAIN FOR FUTURE REFERENCE. MANUAL MUST BE READ BEFORE OPERATING!

## PLAQUE DE CUISSON À GAZ PORTABLE

IMPORTANT, PRENEZ CONNAISSANCE DE CE DOCUMENT ET CONSERVEZ-LE POUR RÉFÉRENCE ULTÉRIEURE. VOUS DEVEZ LIRE CE GUIDE AVANT D'UTILISER LE BARBECUE!

## PLANCHA DE GAS PORTÁTIL

IMPORTANTE, LEER DETENIDAMENTE, CONSERVAR PARA REFERENCIA FUTURA. LEA EL MANUAL ANTES DEL USO!

FOR OUTDOOR AND HOUSEHOLD USE ONLY. NOT FOR COMMERCIAL USE. FUEL AND ACCESSORIES NOT INCLUDED.  
RÉSERVÉ À L'USAGE EXTÉRIEUR ET RÉSIDENIEL UNIQUEMENT. NON DESTINÉ À UN USAGE COMMERCIAL. COMBUSTIBLE ET ACCESSOIRES NON INCLUS.

SOLO PARA USO EN EXTERIORES Y EN EL HOGAR. NO ES PARA USO COMERCIAL. NO INCLUYE COMBUSTIBLE NI ACCESORIOS



**WARNING:** Please read the entire manual before installation and use of this gas appliance. Failure to follow these instructions could result in property damage, bodily injury or even death. Contact local building or fire officials about restrictions and installation inspection requirements in your area.

**AVERTISSEMENT :** veuillez lire l'intégralité du manuel avant installation et utilisation de cet appareil électrique à combustion de granulés de bois. Le non-respect de ces instructions peut entraîner des dommages matériels, des dommages corporels ou même la mort. Contactez les autorités locales compétentes concernant les restrictions et les exigences d'inspection en vigueur dans votre région.



**ADVERTENCIA:** lea todo el manual antes de instalar y usar esta unidad que funciona con electricidad y combustión de granulos. Si no se siguen estas instrucciones, pueden producirse daños materiales, lesiones corporales o incluso la muerte. Póngase en contacto con los encargados del edificio o de los bomberos locales para consultar las restricciones y los requisitos de inspección de las instalaciones de su zona.

# SAFETY INFORMATION

**A MAJOR CAUSE OF FIRES ARE A RESULT OF POOR MAINTENANCE AND A FAILURE TO MAINTAIN REQUIRED CLEARANCES (AIR SPACES) TO COMBUSTIBLE MATERIALS. IT IS OF UTMOST IMPORTANCE THAT THIS PRODUCT BE INSTALLED ONLY IN ACCORDANCE WITH THESE INSTRUCTIONS.**

Please read and understand this entire manual before attempting to assemble, operate or install the product. This will ensure you receive the most enjoyable and trouble-free operation of your new portable gas griddle. We also advise you retain this manual for future reference.

## DANGERS AND WARNINGS

<p> <b>DANGER</b></p> <p>If you smell gas:</p> <ul style="list-style-type: none"><li>• Shut off gas to the appliance.</li><li>• Extinguish any open flame.</li><li>• Open lid.</li><li>• If odor continues, keep away from the appliance and immediately call your gas supplier or your fire department.</li></ul>	<p> <b>WARNING</b></p> <ul style="list-style-type: none"><li>• Do not store or use gasoline or other flammable liquids or vapors in the vicinity of this or any other appliance.</li><li>• An LP cylinder not connected for use shall not be stored in the vicinity of this or any other appliance.</li></ul>	<p><b>GRILL INSTALLATION CODES</b></p> <ul style="list-style-type: none"><li>• The installation must conform with local codes or, in the absence of local codes, with either the national fuel gas code, ANSI Z 223.1/NFPA 54, Natural gas and propane installation code, CSA B149.1, or propane storage and handling code, B149.2.</li><li>• LP gas grill models are designed for use with a standard 20 lb. Liquid Propane Gas tank, not included with grill. Never connect your gas grill to an LP gas tank that exceeds this capacity.</li></ul>
---	--	--

**You must contact your local home association, building or fire officials, or authority having jurisdiction, to obtain the necessary permits, mission or information on any installation restrictions, such as any grill being installed on a combustible surface, inspection requirements or even ability to use, in your area.**

1. A minimum clearance of 1,270mm (50 inches) from combustible constructions to the sides of the grill, and 1,270 (50 inches) from the back of the grill to combustible constructions must be maintained. **Do not install appliance on combustible floors, or floors protected with combustible surfaces unless proper permits and permissions are obtained by authorities having jurisdiction.** Do not use this appliance indoors, in an enclosed or unventilated area, inside homes, vehicles, tents, garages. This wood pellet appliance must not be placed under overhead combustible ceiling or overhang. Keep your grill in an area clear and free from combustible materials, gasoline and other flammable vapors and liquids.

**Should a grease fire occur, turn the griddle OFF until the fire is out. Do not throw water on. Do not try to smother the fire. Use of an all-class (class ABC) approved fire extinguisher is valuable to keep on site. If an uncontrolled fire does occur, call the Fire Department.**

2. The liquefied petroleum (LP) cylinder must be constructed and marked in accordance with the specifications for LP Gas Cylinders of the U.S. Department of Transportation (D.O.T.) or the National Standard of Canada, CAN/CSA-B339, Cylinders, Spheres and Tubes for Transportation of Dangerous Goods; and Commission.
3. This outdoor griddle is not intended for installation in/on recreation vehicles or boats.

**Never use this appliance in an enclosed space, such as a camper, tent, car, boat or home. This appliance is not intended for and should never be used as a heater.**

4. This appliance is not recommended for children, persons with reduced physical, sensory or mental capabilities, or lack of experience and knowledge, unless they are under direct supervision or instruction by a person responsible for their safety.

5. Parts of the barbecue may be very hot, and serious injury may occur. Keep young children and pets away while in use. Do not touch hot surfaces. Use heat-resistant gloves, long-handled tongs, or cooking mitts at all times, since the griddle will become very hot.
6. Never use the griddle without the grease cup installed and hung under the firebox. Without the grease cup, hot grease and debris could leak downward and produce a fire hazard.
7. Do not obstruct the flow of combustion and ventilation air to this appliance. Keep the burner tube and portholes clean and free from debris. Clean before use. Regular care and maintenance is required to prolong the lifespan of your unit.
8. Always check for gas leaks when you connect and disconnect the regulator to the gas cylinder, especially after a period of storage (for example, over winter). Check all connections for leaks with a soapy water solution and brush. Never use an open flame to check for leaks.
9. Clean and inspect the gas regulator before each use of the outdoor cooking gas appliance. Replace the gas regulator prior to being used if there is evidence of excessive abrasion or wear. Use only the gas regulator assembly that has been supplied with this gas griddle. Do not use a regulator from another manufacturer.

**Do not use lava rock, wood chunks, charcoal, lighter fluid, alcohol or other similar chemicals for lighting or relighting. Keep all such substances and liquids WELL away from appliance when in use.**

10. Operate this appliance using liquefied petroleum only, which is also specified on the rating label on the unit. Do not attempt to operate your griddle on other gases. Do not attempt to convert this LP unit to natural gas. Failure to follow this warning could lead to fire, bodily harm, and will void your warranty.

## PROPANE GAS WARNINGS

1. Ensure the gas cylinder is purchased by a reputable supplier. An incorrectly filled or an overfilled LP tank can be dangerous. The overfilled condition combined with the warming of the LP gas tank (a hot summer day, tank left in the sun, etc.) can cause LP gas to be released since the temperature increase causes gas to expand. Gas released from the cylinder is flammable and can be explosive.
2. Do not use an LP gas cylinder if it has a damaged valve or shows signs of dents, gouges, bulges, fire damage, corrosion, leakage, excessive rust, or other forms of visual external damage; it may be hazardous and should be checked immediately by a liquid propane supplier.

**If you see, smell, or hear the hiss of gas escaping from the cylinder, do not attempt to light appliance. Extinguish any open flame. Disconnect from fuel supply.**

3. Do not connect or disconnect the gas cylinder while the unit is in use or is still hot. When griddle is not in use, ensure regulator knob is turned to OFF and disconnect the gas cylinder. Never move or transport the unit while the gas cylinder is attached. Do not store a spare LP gas cylinder under or near the appliance.
4. Cylinders must be stored outdoors out of reach of children and must not be stored in a building, garage, or any other enclosure area.

## CARBON MONOXIDE ("THE SILENT KILLER")

Always use a gas appliance outdoors in an open area with good ventilation to avoid breathing toxic fumes from combustion or leaking gas. Carbon monoxide is a colorless, odorless, tasteless gas produced by burning gas, wood, propane, charcoal or other fuel. Carbon monoxide reduces the blood's ability to carry oxygen. Low blood oxygen levels can result in headaches, dizziness, weakness, nausea, vomiting, sleepiness, confusion, loss of consciousness or death. Follow these guidelines to prevent this colorless, odorless gas from poisoning you, your family, or others:

- See a doctor if you or others develop cold or flu-like symptoms while cooking or in the vicinity of the appliance. Carbon monoxide poisoning, which can easily be mistaken for a cold or flu, is often detected too late.
- Alcohol consumption and drug use increase the effects of carbon monoxide poisoning.

Carbon monoxide is especially toxic to mother and child during pregnancy, infants, the elderly, smokers, and people with blood or circulatory system problems, such as anemia, or heart disease.

**SAFETY LISTING**

In accordance with the procedures and specifications listed in the ANSI Z21.89-2017 · CSA 1.18-2017 "Outdoor Cooking Specialty Gas Appliances." Pit Boss® Grills cooking appliances have been independently tested and listed by CSA (an accredited testing laboratory) to CSA standards.



**COPYRIGHT NOTICE**

Copyright 2021. All right reserved. No part of this manual may be copied, transmitted, transcribed, stored in a retrieval system, in any form or by any means without expressed written permission of,

**Dansons**

3411 North 5th Avenue, Suite 500, Phoenix, AZ, USA 85013  
 sales@pitboss-grills.com | service@pitboss-grills.com  
**www.pitboss-grills.com**

**Customer Care**

**USA: (480) 923-9630 | Canada (Toll Free): 1-877-942-2246**

**TABLE OF CONTENTS**

Safety Information ..... 2

Connecting To A Gas Supply

    Gas Cylinder Requirements..... 5

    Installing A Gas Cylinder ..... 5

    Disconnecting A Gas Cylinder ..... 5

Operating Instructions

    Griddle Environment ..... 6

    Preparation For Use – Leak Testing..... 7

    First Use – Griddle Burn-Off..... 8

    Lighting Procedure..... 8

    Manual Lighting Procedure..... 9

    Shutting Off Your Griddle ..... 9

Collapsing For Storage - *PB757GD* ..... 10

Care & Maintenance ..... 11

Tips & Techniques ..... 12

Troubleshooting ..... 13

Replacement Parts..... 14

Warranty ..... 16

# CONNECTING TO A GAS SUPPLY

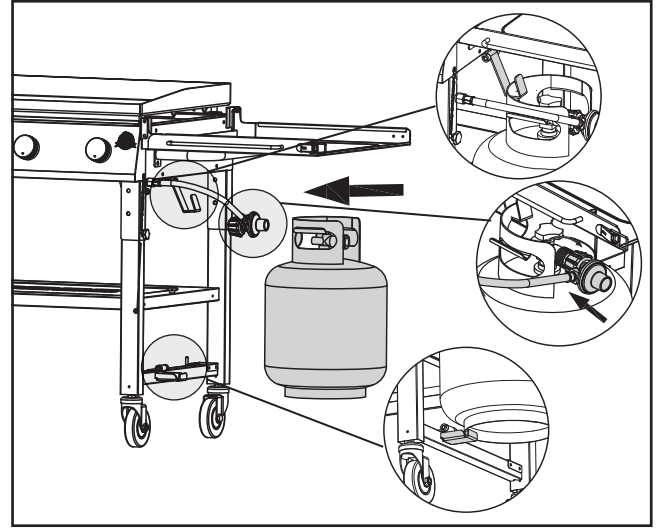
## GAS CYLINDER REQUIREMENTS

The griddle is set and tested with liquid propane gas only. The regulator supplied is set for 27.94 cm (11 inch) water column (WC) and is for use with LP gas only. The factory-supplied regulator and hose must be used with a 9 kg (20 lbs) LP gas tank. **Contact your gas supplier for a special regulator for bulk gas that fuels other appliances.**

**CAUTION: It is important to inspect the full length of the gas line hose. If it is evident there is excessive abrasion or wear, or the hose is cut, the hose must be replaced prior to the appliance being used.**

## INSTALLING A GAS CYLINDER

1. From the side of the cart, place foot ring of 9 kg (20 lbs) tank onto the gas tank bracket. Make sure the tank valve is in OFF position. Use the tank bolt to secure the tank in a fixed position. Ensure the tank is completely upright, as it is unsafe to operate the griddle if the gas tank is not installed properly.
2. Ensure the regulator valve on the griddle is completely closed by turning the knob clockwise to the OFF position.
3. Remove the protective caps from the regulator valve opening and the top of the gas cylinder. Save the caps.
4. Insert the gas cylinder valve into the threaded opening of the regulator valve. Turn the cylinder clockwise until firm. Hand-tighten only.
5. Gas cylinder is now installed.



The outdoor grill, when installed, must be electrically grounded in accordance with local codes or, in the absence of local codes with the National Electrical Code ANSI/NFPA 70, or Canadian Electrical Code, CSA C22.1.

1. Do not store a spare LP gas tank under or near this appliance.
2. Never fill the tank beyond 80 percent full.
3. If the information in 1) and 2) is not followed exactly a fire causing death or serious injury may occur.
4. Place dust cap on cylinder valve outlet whenever the cylinder is not in use. Only install the type of dust cap on the cylinder valve outlet that is provided with the cylinder valve. Other types of caps or plugs may result in leakage of propane.

## DISCONNECTING A GAS CYLINDER

1. Ensure the regulator valve on the griddle is completely closed by turning the knob clockwise to the OFF position.
2. Turn the cylinder counter-clockwise (by hand) to disconnect from the regulator valve opening. Replace the protective caps on the regulator valve opening and the top of the gas cylinder for storage (if not empty).

**NOTE: If storing the griddle indoors, leave the gas cylinder outdoors.**

**WARNING: Do not fold up or transport griddle with gas cylinder attached. The cylinder may loosen off the valve and cause a gas leak, possibly resulting in an explosion, fire, or severe bodily harm. Disconnect gas cylinder first before travel or storage.**

# OPERATING INSTRUCTIONS

## GRIDDLE ENVIRONMENT

### 1. *WHERE TO SET-UP THE GRIDDLE*

With all outdoor appliances, outside weather conditions play a big part in the performance of your griddle and the cooking time needed to perfect your meals. All Pit Boss® Grills units should keep a minimum clearance of 1,270mm (50 inches) from combustible constructions, and this clearance must be maintained while the grill is operational. This clearance must be maintained while the griddle is operational. This appliance must not be placed under overhead combustible ceiling or overhang. Keep your griddle in an area clear from combustible materials, or other flammable vapors and liquids.

### 2. *COLD WEATHER COOKING*

As it becomes cooler outside, that does not mean that grilling season is over! The crisp cool air and heavenly aroma of grilled foods will help cure your winter blues. Follow these suggestions on how to enjoy your griddle throughout the cooler months:

- Organize – Get everything you require ready in the kitchen before you head outdoors. During the winter, move your griddle to an area that is out of the wind and direct cold. Check local bylaws regarding the proximity of your griddle in relation to your home and/or other structures. Put everything you need on a tray, bundle up tight, and get it done!
- To help keep track of the outside temperature, place an outdoor thermometer close to your cooking area. Keep a log or history of what you cooked, the outdoor temperature, and the cooking time. This will help later down the road to help you determine what to cook and how long it will take.
- Have a heated platter or a dish cover ready to keep your food warm while making the trip back inside.

### 3. *HOT WEATHER COOKING*

As it becomes warmer outdoors, the cooking time will decrease. Follow these few suggestions on how to enjoy your griddle throughout the hot months:

- Adjust your cooking temperatures downward. This helps to avoid unwanted flare-ups.
- Use a meat thermometer to determine the internal temperature of your foods. This helps in preventing your meat from over cooking and drying out.
- You can keep foods hot by wrapping them in foil, and placing them in an insulated cooler. Stuff crumpled up newspaper around the foil and this will keep food hot for 3 to 4 hours.

## PREPARATION FOR USE – LEAK TESTING

A leak test is used to determine the integrity of a seal. Before using your gas griddle, perform a leak test on the connection between the regulator and the gas cylinder to reduce the risk of serious bodily injury or death from fire or explosion. A leak test should be performed a minimum of once a season, as well as:

- before lighting your griddle for the first time,
- every time the gas cylinder has been changed,
- after travel, especially over rough or bumpy roads,
- after a prolonged period of storage or non-use.

### HOW TO PERFORM A LEAK TEST

#### Supplies Required:

- 1 x Bowl (*empty, clean*)
- 1 x Paint Brush (*clean*)
- Dish Washing Liquid
- Water

#### Procedure:

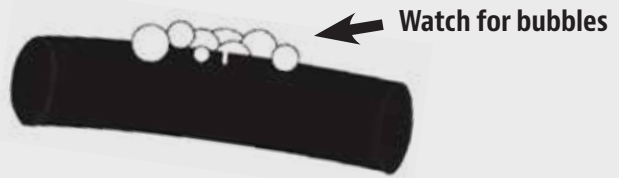
1. Position the griddle in a well-ventilated area. Ensure the griddle is cool to the touch, and not in use. Verify that the regulator valve is turned to the OFF position and that the gas cylinder is tightened securely to the regulator.

**IMPORTANT: Ensure there is no open flame or smokers nearby.**

2. Mix a solution of one part of water with one part of dish washing liquid in a bowl. The solution will make bubble, as it will be concentrated.
3. Use a paint brush to apply the solution onto the seal between the regulator and the gas cylinder. Visually inspect for streams of bubbles coming from a defect or break in the seal.

**NOTE: If a leak appears, repeat gas cylinder installation procedure, but do not over-tighten. Hand-tighten only. Repeat leak test after re-installation to ensure seal is secure.**

**IMPORTANT: Do not use the gas griddle if you detect a gas leak that cannot be corrected by using the leak test procedure. Contact your local Fire Department or Customer Care for alternative measures of testing to ensure proper precaution.**





## FIRST USE – GRIDDLE BURN-OFF

Before using your griddle for the first time with food, it is important to complete a burn-off. Start the griddle and operate for a minimum of 15 minutes on HIGH to burn-off the unit. This will “heat clean” the internal components, dissipate odors and rid it of any foreign matter.

## LIGHTING PROCEDURE

1. Verify that all control knobs are turned to the OFF position.
2. Connect LP gas cylinder as per instructions. Turn LP gas tank valve to OPEN.
3. Note the indicator marker on the control knob. Push and hold down the control knob on the griddle and turn 90 degrees (or 1/4) counter-clockwise SLOWLY (2 to 3 seconds) to HIGH. You should hear a “click” sound to indicate a spark from the igniter, and look for flame to ensure the burner is lit. If it does not, repeat up to three times.
4. If ignition does not occur in 5 seconds, turn the control knob to OFF, wait 5 minutes and repeat lighting procedure. If the above points do not work, follow **Manual Lighting Procedure** instructions.
5. After the burner has caught fire, you are ready to enjoy your griddle at your desired temperature!

**If the burner goes out during operation, turn the control knobs to the OFF position. Wait five minutes before attempting to relight to allow any accumulated gas to dissipate.**

## IGNITER FAILURE PROCEDURE

**If for any reason your igniter fails after three of four attempts, check the following steps, or start your griddle using the manual method.**

1. Ensure the control knobs are turned to the OFF position. Allow any accumulated gas to dissipate.
2. After five minutes, check the following:
  - Visually confirm that the igniter is working by pushing the igniter button and looking at the igniter tip for a spark. If no spark, adjust the distance between the igniter (electrode) tip and burner to 4.5 mm (3/16 in).
  - Visually confirm that the burner tube and portholes are not obstructed. If blocked, follow **Care & Maintenance** instructions.
3. If the above points do not work, follow **Troubleshooting** instructions.

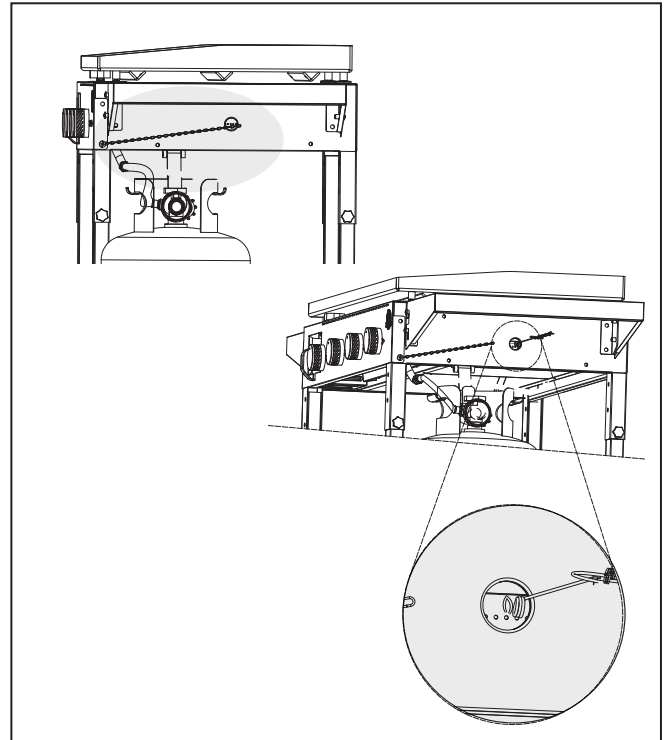


## MANUAL LIGHTING PROCEDURE

1. Verify that the control knob is turned to the OFF position.
2. Connect LP gas cylinder as per instructions. Turn LP gas tank valve to OPEN.
3. Note the indicator marker on the control knob. Push in the regulator knob and turn 90 degrees (or 1/4) counter-clockwise to HIGH.
4. Quickly and carefully, use a lit match secured with the lighting rod (included with the grill) to light burners. Access the burners through the cooking grid and hot plate. Position lit match near side of burner. Do not attempt to light another area of the burner. This can cause injury.

**NOTE: Do not use spirit, lighter-fluid or kerosene for lighting or refreshing a fire in your griddle.**

5. After the burner has caught fire, you are ready to enjoy your griddle at your desired temperature!



## SHUTTING OFF YOUR GRIDDLE

1. When finished cooking, turn LP gas tank valve to the CLOSED position, and allow the regulator knob to pop out. This safety feature locks the regulator knob to ensure that the gas is no longer flowing.
2. Turn control knobs to the OFF position.

**NOTE: A "poof" sound is normal as the last of the LP gas is burned.**

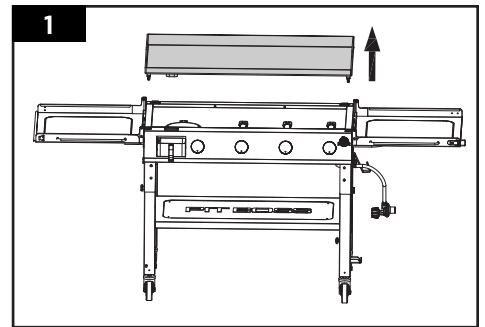
3. Disconnect LP gas tank by following the *Disconnect LP Gas Tank* instructions.

**WARNING: Allow the griddle to cool completely, and remove the gas cylinder, before moving, travel, or for storage.**

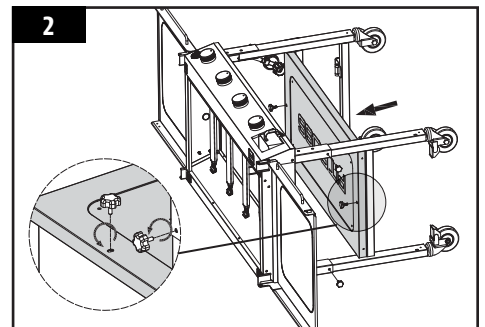
## COLLAPSING FOR STORAGE - PB757GD

Your griddle can quickly and easily be collapsed for storage and easy transportation. To fold down and securely store your griddle, simply follow the assembly instructions in reverse or the following summary:

1. Carefully, lift the Hot Plate off of the Fire Box. This is easier using two people, but not necessary.

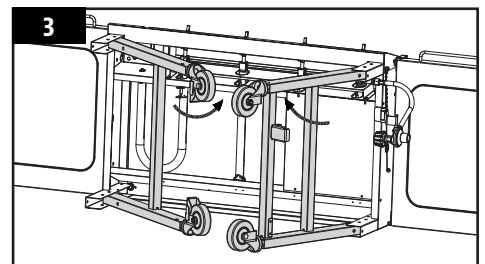


2. Lay the Fire Box on its side with the control knobs on the top. Remove the two bolts from the Bottom Shelf. Remove the Bottom Shelf.

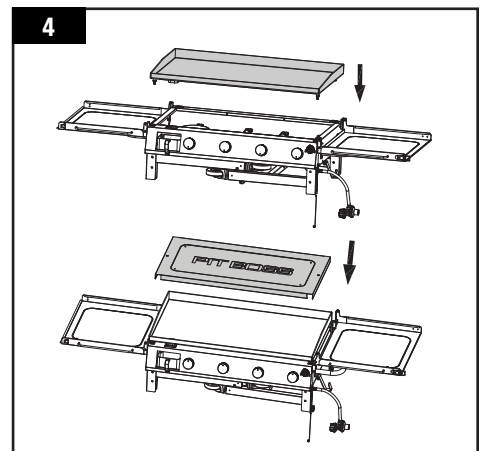


3. Loosen the four bolts, one on each leg. Pull back on the locking system pins to fold-in the cart legs to collapse the cart.

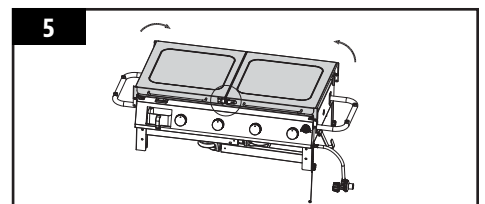
**NOTE: To not misplace, re-install the bolts into the cart and Bottom Shelf once the cart is completely collapsed.**



4. Carefully raise the unit into an upright position with the wheels on the bottom. Replace the Hot Plate onto the top of the Fire Box. Place the Bottom Shelf overtop of the Hot Plate.



5. Close the side shelves and lock the front latch.



# CARE AND MAINTENANCE

## CHECKING THE GAS LEVEL

To check the amount of fuel in the LP gas cylinder, the griddle must be in operation. Place your hand at the top of the tank and slowly move down the side until the tank feels cool to the touch. This will indicate the approximate amount of gas in your tank; if  $\frac{3}{4}$  empty, replace with full tank.

**IMPORTANT: Do not use charcoal briquettes or any flammable material with your griddle. Use of such material will void your warranty and may lead to a fire, explosion and bodily harm.**

## CLEANING FREQUENCY

Any Pit Boss® unit will give you many years of flavorful service with minimum cleaning. Follow these cleaning and maintenance tips to service your griddle:

### 1. BURNER COMPONENTS

- Clean the burner whenever heavy build-up is found, to ensure that there are no signs of blockage (debris, insects) on the burner tube or in the burner portholes. After periods of storage, spiders or small insects can build nests, webs, and lay eggs in the burner tube, obstructing the flow of gas to the burner. If storing the griddle or before an extended period of non-use, remove the burner and wrap with aluminum foil to reduce the risk of insects entering the burner holes.
- The burner has been preset for optimal flame performance. A blue flame, possibly with a small yellow tip, is the result of the optimal air and gas mixture. If flames are excessively yellow, orange or irregular, clean the oil and food deposits on the burner surface and the burner portholes to increase airflow.

### 2. GRIDDLE SURFACE

- Your griddle comes preseasoned from the factory, but it is important to clean and season your griddle after each use to prevent rust, extend the life of your griddle, and create a non-stick cooking surface. The seasoning of your griddle is a continuous process that must be repeated over the life of your griddle to ensure the best cooking experience and longest life for your griddle.
  1. Clean the griddle after each use, using a spatula or scraper to remove all food and debris from cooking surface.
  2. Liberally apply an even coat of cooking oil to the cooking surface. Vegetable, olive, peanut, coconut, and sesame oils are all suitable for seasoning your griddle.
  3. Turn the griddle off, and allow to cool in a cool, dry location.
- Remove any food or build-up from the cooking surface. Best practice is to do this while it is still warm from a previous cook. Grease fires are caused by too much fallen debris on the cooking components of the griddle. Clean the inside of your griddle on a consistent basis. In the event you experience a grease fire, carefully remove the food, turn the griddle off. Lightly sprinkle baking soda, if available.
- Check your grease cup often, and clean out as necessary. Keep in mind the type of foods that are cooked.
- Use a grill cover to protect your griddle for complete protection! A cover is your best protection against weather and outside pollutants. When not in use or for long-term storage, keep the unit under a cover in a garage or shed, with the gas cylinder removed (must be stored outdoors).

**CLEANING TIME TABLE (NORMAL USE)**

ITEM	CLEANING FREQUENCY	CLEANING METHOD
Cooking surface	After each use	Burn off excess, scrub pad & soapy water, season with cooking oil
Grease cup	After each use	Empty, scrub pad & soapy water
Burner tube, portholes	Every 5-6 uses	Dust, scrub pad & soapy water
Flame tamers	Every 5-6 uses	Scrub pad & soapy water
Burners	Every 5-6 uses	Scrub pad & soapy water

# TIPS & TECHNIQUES

Follow these helpful tips and techniques, passed on from Pit Boss® owners, our staff, and customers just like you, to become more familiar with your grill:

## 1. *FOOD SAFETY*

- Use different platters and utensils for the cooked meat than the ones you used to prepare or transport the raw meat out to the grill. This will prevent cross contamination of bacteria. Each marinade or sauce should have its own utensil.
- Keep hot foods hot (above 60°C / 140°F), and keep cold foods cold (below 3°C / 37°F). Cooked foods should not be left out in the heat for more than an hour. Do not leave hot foods out of refrigeration for more than two hours.
- A marinade should never be saved to use at a later time. If you are going to use it to serve with your meat, be sure to bring it to a boil before serving.
- Defrost and marinate meats by refrigeration. Do not thaw meat at room temperature or on a counter top. Bacteria can grow and multiply rapidly in warm, moist foods. Wash hands thoroughly with hot, soapy water before starting any meal preparation and after handling fresh meat, fish and poultry.

## 2. *COOKING PREPARATION*

- Be prepared, or ***Mise en Place***. This refers to preparing the cooking recipe, fuel, accessories, utensils, and all ingredients you require at grill side before you start cooking. Also, read the entire recipe, start to finish, before lighting the grill.
- A BBQ floor mat is very useful. Due to food handling accidents and cooking spatter, a BBQ floor mat would protect a deck, patio, or stone platform from the possibility of grease stains or accidental spills.

## 3. *GRILLING TIPS AND TECHNIQUES*

- Always use a meat thermometer to determine the internal temperature of the foods you are cooking. It's a good idea to put cooked food onto a heated platter, keeping the food warm. Red meats, such as steak and roasts, benefit from resting for several minutes before serving. It allows the juices that were driven to the surface by heat to ease back to the center of the meat, adding more flavor.
- Sugar-based sauces are best applied near the end of cooking to prevent burning and flare-ups.
- Use a set of long-handled tongs for turning meats, and a spatula for turning burgers and fish. Using a piercing utensil, such as a fork, will prick the meat and allow the juices to escape.

Accessories are available for purchase separately. Contact your local authorized Pit Boss® dealer or visit [www.pitboss-grills.com](http://www.pitboss-grills.com).

# TROUBLESHOOTING

Proper cleaning and maintenance will prevent common operational problems. When your griddle is operating poorly, or on a less frequent basis, the following troubleshooting tips may be helpful. For FAQ, please visit [www.pitboss-grills.com](http://www.pitboss-grills.com). You may also contact your local dealer or Customer Care for assistance.

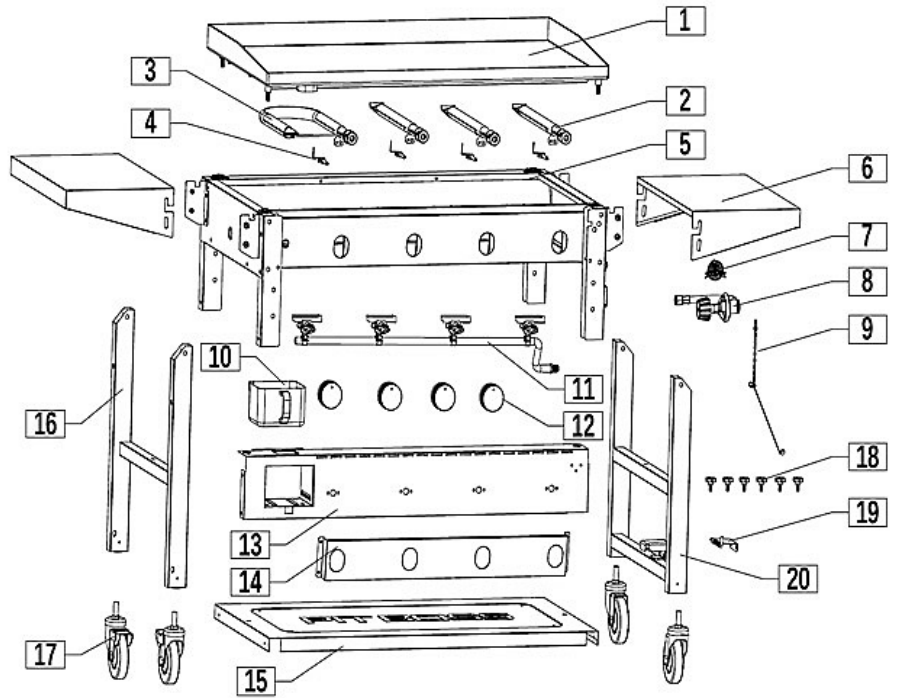
**WARNING: Always ensure the griddle is completely cooled to avoid injury.**

PROBLEM	CAUSE	SOLUTION
Burner Will Not Light	The ignition wire is broken	Contact Customer Care for assistance or a replacement part.
	No igniter spark on electrode	Adjust the electrode. Contact Customer Care for assistance or a replacement part.
	No gas supplied	Check the regulator valve. Check connection for leak.
Grease Fire / Frequent Flare-Ups	Grilling fatty meats	Grill fatty meats when the cooking surface is cold, and the knobs are on the "LOW" setting.
	Cooking temperature	Attempt cooking at a lower temperature. Grease does have a flash point. Keep the temperature under 176°C / 350°F when cooking highly greasy food.
	Water sprayed on gas flames	Do not spray water on gas flames.
Burner blows out	No Gas Flow	Check gas fuel connection, and ensure it is open. Replace gas cylinder if empty.
	Gusting Or High Winds	Turn front of grill away from wind or increase flame height.
Low heat on "HIGH"	Ports blocked	Clear ports of any obstructions.
	Gas tank empty	Refill the gas tank.
Gas Leakage	Improper Installation	Turn the regulator knob to the OFF position, and allow the regulator knob to pop out. Remove the gas cylinder. Re-install and tighten. Perform leak test to ensure proper seal. Replace gas cylinder if damaged.
	Seal Failure	Gas cylinder has corroded, rusted, or has been mishandled. Replace gas cylinder.
	Regulator Failure	Regulator needs to be replaced. Contact Customer Care for a replacement part.
Burner Flames Are Yellow Or Orange	Poor Air Flow	Check burner tube and burner ports for spider webs or other obstructions. Follow <b>Care and Maintenance</b> instructions to clean the burner tube.
	Burner Obstruction	
	Grease Cup Is Full, Spilling	Empty grease cup and re-install. Follow <b>Care and Maintenance</b> instructions.
	Regulator Valve Is Off	Check the regulator valve connection to the gas cylinder. Remove, then reinstall. Perform leak test.
	Burner Is Dirty	Turn regulator knob to HIGH for five minutes, and burn-off the unit. Follow <b>Care and Maintenance</b> instructions.

# REPLACEMENT PARTS - PB757GS

ENGLISH

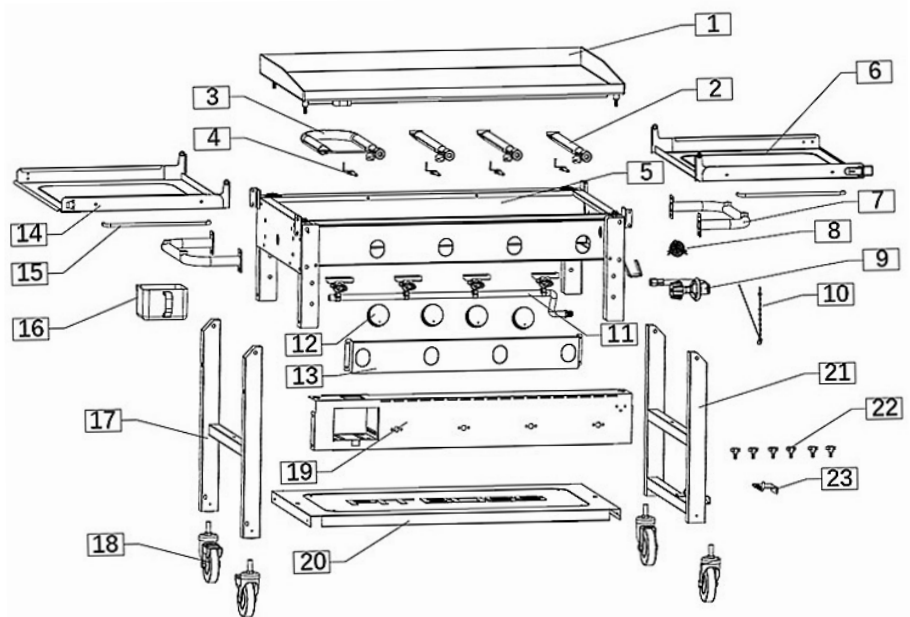
Part#	Description
1	Hot Plate
2	Main burner A - 3 per grill
3	Main burner B
4	Main burner igniter wire - 4 per grill
5	Firebox
6	Side shelf - 2 per grill
7	Nameplate
8	Regulator assembly
9	Lighting rod
10	Grease cup
11	Main gas valve and main manifold assembly
12	Gas control knob - 4 per grill
13	Control panel
14	Heat shield
15	Bottom shelf
16	Cart leg assembly, left
17	Caster - locking - 4 per grill
18	Handle screws - 6 per grill
19	Latch
20	Cart leg assembly, Right



NOTE: Due to ongoing product development, parts are subject to change without notice.

# REPLACEMENT PARTS - PB757GD

Part#	Description
1	Hot Plate
2	Main burner A - 3 per grill
3	Main burner B
4	Main burner igniter wire - 4 per grill
5	Firebox
6	Right side shelf
7	Side handle assembly - 2 per grill
8	Nameplate
9	Regulator assembly
10	Lighting rod
11	Main gas valve and main manifold assembly
12	Gas control knob - 4 per grill
13	Heat shield
14	Left side shelf
15	Side shelf handle - 2 per grill
16	Grease cup
17	Cart leg assembly, left
18	Caster - locking - 4 per grill
19	Control panel
20	Bottom shelf
21	Cart leg assembly, Right
22	Handle screws - 6 per grill
23	Latch



ENGLISH

NOTE: Due to ongoing product development, parts are subject to change without notice.



# WARRANTY

## CONDITIONS

All gas griddles by Pit Boss® Grills, manufactured by Dansons, carry a limited warranty from the date of sale by the original owner. The warranty coverage begins on the original date of purchase and proof of date of purchase, or copy of original bill of sale, is required to validate the warranty. Customers will be subject to parts, shipping, and handling fees if unable to provide proof of the purchase or after the warranty has expired.

Dansons carries a five (5) year warranty against defects and workmanship on all parts. Dansons warrants that all part(s) are free of defects in material and workmanship, for the length of use and ownership of the original purchaser. Warranty does not cover damage from wear and tear, such as scratches, dents, dings, chips or minor cosmetic cracks. These aesthetic changes of the griddle do not affect its performance. Repair or replacement of any part does not extend past the limited warranty beyond the five (5) year from date of purchase.

During the term of the warranty, Dansons' obligation shall be limited to furnishing a replacement for defective and/or failed components. As long as it is within the warranty period, Dansons' will not charge for repair or replacement for parts returned, freight prepaid, if the part(s) are found by Dansons' to be defective upon examination. Dansons' shall not be liable for transportation charges, labor costs, or export duties. Except as provided in these conditions of warranty, repair or replacement of parts in the manner and for the period of time mentioned heretofore shall constitute the fulfillment of all direct and derivate liabilities and obligations from Dansons to you.

Dansons takes every precaution to utilize materials that retard rust. Even with these safeguards, the protective coatings can be compromised by various substances and conditions beyond Dansons' control. High temperatures, excessive humidity, chlorine, industrial fumes, fertilizers, lawn pesticides and salt are some of the substances that can affect metal coatings. For these reasons, the warranty does not cover rust or oxidization, unless there is loss of structural integrity on the griddle components. Should any of the above occur, kindly refer to the care and maintenance section to prolong the lifespan of your unit. Dansons recommends the use of a cover when the griddle is not in use.

This warranty is based on normal domestic use and service of the griddle and neither limited warranty coverage's apply for a griddle which is used in commercial applications.

## EXCEPTIONS

There is no written or implied performance warranty on Pit Boss® Grills products, as the manufacturer has no control over the installation, operation, cleaning, maintenance or the type of fuel burned. This warranty will not apply nor will Dansons assume responsibility if your appliance has not been installed, operated, cleaned and maintained in strict accordance with this owner's manual. Any use of gas not outlined in this manual may void the warranty. The warranty does not cover damage or breakage due to misuse, improper handling or modifications.

Neither Dansons, or authorized Pit Boss® Grills dealer, accepts responsibility, legal or otherwise, for the incidental or consequential damage to the property or persons resulting from the use of this product. Whether a claim is made against Dansons based on the breach of this warranty or any other type of warranty expressed or implied by law, the manufacturer shall in no event be liable for any special, indirect, consequential or other damages of any nature whatsoever in excess of the original purchase of this product. All warranties by manufacturer are set forth herein and no claim shall be made against manufacturer on any warranty or representation.

Some states do not allow the exclusion or limitation of incidental or consequential damages, or limitations of implied warranties, so the limitations or exclusions set forth in this limited warranty may not apply to you. This limited warranty gives you specific legal rights and you may have other rights, which vary from state to state.

## ORDERING REPLACEMENT PARTS

To order replacement parts, please contact your local Pit Boss® Grills dealer or visit our online store at: [www.pitboss-grills.com](http://www.pitboss-grills.com)

## CONTACT CUSTOMER CARE

If you have any questions or problems, contact Customer Care.

**service@pitboss-grills.com | USA: (480) 923-9630 | Canada (Toll Free): 1-877-942-2246**

## WARRANTY SERVICE

Contact your nearest Pit Boss® Grills dealer for repair or replacement parts. Danson's requires proof of purchase to establish a warranty claim; therefore, retain your original sales receipt or invoice for future reference. The serial and model number of your Pit Boss® can be found on the back of the unit. Record numbers below as the label may become worn or illegible.

---

MODEL

---

SERIAL NUMBER

---

DATE OF PURCHASE

---

AUTHORIZED DEALER

# INFORMATIONS CONCERNANT LA SÉCURITÉ

**LES PRINCIPALES CAUSES D'INCENDIE D'UN APPAREIL SONT UN MAUVAIS ENTRETIEN ET UNE INCAPACITÉ À MAINTENIR L'ESPACEMENT REQUIS ENTRE L'APPAREIL ET LES MATÉRIAUX COMBUSTIBLES. IL EST DE LA PLUS HAUTE IMPORTANCE QUE CE PRODUIT SOIT UNIQUEMENT UTILISÉ CONFORMÉMENT AUX INSTRUCTIONS SUIVANTES.**

Veillez lire et comprendre l'intégralité de ce manuel avant de procéder à l'assemblage, à l'utilisation ou à l'installation de ce produit. Vous pourrez alors profiter pleinement et sans encombre de votre nouveau gril à granulés de bois. Nous vous conseillons également de conserver ce manuel à titre de référence ultérieure.

## DANGERS ET AVERTISSEMENTS



### DANGER

Si vous sentez le gaz :

- Coupez l'arrivée du gaz de l'appareil
- Éteignez toute flamme ouverte.
- Ouvrez le couvercle.
- Si l'odeur persiste, éloignez-vous de l'appareil et appelez immédiatement votre fournisseur de gaz ou les pompiers.



### AVERTISSEMENT

- Ne stockez pas, ni n'utilisez de l'essence ou d'autres liquides ou vapeurs inflammables à proximité de cet appareil ou de tout autre appareil.
- Une bouteille de gaz de pétrole liquéfié non branchée pour utilisation ne doit pas être stockée à proximité de cet appareil ou de tout autre appareil.

### CODES D'INSTALLATION DU GRIL

- L'installation doit être conforme aux codes locaux ou, en l'absence de codes locaux, au code national sur le gaz combustible, ANSI Z 223.1/NFPA 54, au code d'installation du gaz naturel et du propane, CSA B149.1, ou au code de stockage et de manipulation du propane, B149.2.
- Les modèles de gril à gaz de pétrole liquéfié sont conçus avec une bouteille de gaz de propane liquide 20 lb., non incluse avec le gril. Ne branchez jamais votre gril à gaz à une bouteille de gaz de pétrole liquéfié dépassant cette capacité.

**Vous devez contacter les autorités locales compétentes afin d'obtenir les permis, mandats ou informations nécessaires concernant toute restriction d'installation, par exemple pour un gril installé sur une surface combustible, les exigences en matière d'inspection ou même la possibilité d'utilisation dans votre région.**

1. Vous devez respecter un espace minimum de 1 270 mm (50 pouces) entre les côtés/l'arrière du plaque de cuisson et toute constructions combustible. **N'installez pas l'appareil sur des sols combustibles ou des sols protégés par des surfaces combustibles sans avoir obtenu les permis et autorisations appropriés de la part des autorités compétentes.** N'utilisez pas cet appareil en intérieur, dans une zone close ou non aérée, par exemple à l'intérieur d'un domicile, dans un véhicule, sous une tente ou dans un garage. Cet appareil ne doit pas être placé sous un plafond ou un surplomb combustible. Placez votre gril dans une zone dégagée, sans matériaux combustibles, essence, ni autres vapeurs et liquides inflammables.

**En cas d'incendie de graisse, ÉTEIGNEZ le gril jusqu'à ce que le feu soit éteint. Ne pas jeter d'eau dessus. Ne pas essayer d'étouffer le feu. L'utilisation d'un extincteur approuvé toutes classes (classe ABC) est précieuse à conserver sur place. Si un incendie non contrôlé se produit, appelez les pompiers.**

2. La bouteille d'alimentation de PL (propane liquide) à utiliser doit être construite et marquée conformément aux spécifications concernant les bouteilles de PL du département des Transports des É.-U. (DOT) ou de la Norme nationale du Canada CAN/CSA-B339 relative aux cylindres, sphères et tubes pour le transport des matières dangereuses; et commission.
3. Ce gril pour l'extérieur n'est pas conçu pour une installation dans/sur des véhicules récréatifs ou des bateaux.

**Ne jamais utiliser cet appareil dans un espace clos, comme une caravane-camping, une tente, une voiture, un bateau ou une maison. Cet appareil n'est pas conçu comme un appareil de chauffage, il ne doit en aucun cas servir comme tel.**

4. Cet appareil n'est pas conçu pour être utilisé par des enfants, des personnes à capacités physiques, sensorielles ou intellectuelles réduites ou sans expérience ni connaissances, à moins qu'elles soient surveillées directement par une personne responsable de leur sécurité.
5. Certaines parties du barbecue peuvent être très chaudes et des blessures graves peuvent survenir. Tenir hors de portée des jeunes enfants et des animaux domestiques lors de l'utilisation. Ne pas toucher les surfaces chaudes. Veuillez utiliser des gants résistant à la chaleur, des pinces avec une longue poignée ou des gants de cuisine en tout temps, puisque le grill peut devenir très chaud.
6. Ne jamais utiliser le grill sans la coupelle à graisse installée et suspendue sous le foyer. Sans la coupelle à graisse, la graisse chaude et les débris peuvent couler vers le bas et produire un danger d'incendie.
7. N'obstruez pas le flux de l'air de combustion et de ventilation à l'appareil. Gardez le tube du brûleur et les hublots propres et exempts de tous débris. Nettoyez avant utilisation. Une maintenance et un entretien réguliers sont requis pour prolonger la durée de vie de votre unité.
8. Vérifiez toujours la présence de fuites lorsque vous branchez et débranchez le régulateur à la bonbonne de gaz, plus particulièrement après une période d'entreposage (par exemple, au cours de l'hiver). Vérifiez l'étanchéité de tous les raccords à l'aide d'une solution d'eau savonneuse et d'une brosse. Ne jamais utiliser de flamme ouverte pour vérifier la présence de fuites.
9. Nettoyez et inspectez le régulateur de gaz avant chaque utilisation de l'appareil de cuisson en extérieur. Remplacez le régulateur de gaz avant de l'utiliser si vous apercevez une abrasion ou une usure excessive. N'utilisez que l'assemblage du régulateur de pression du gaz fourni avec ce grill à gaz. Ne pas utiliser le régulateur d'un autre fabricant.

**Ne pas utiliser de pierre volcanique, de copeaux de bois, de charbon, d'essence à briquet, d'alcool ou autres produits chimiques similaires pour effectuer l'allumage ou le rallumage. Conservez tous ces liquides et substances loin du grill lorsque celui-ci fonctionne.**

10. Faites fonctionner cet appareil avec du gaz de pétrole liquéfié, qui est également indiqué sur la plaque signalétique de l'unité. Ne pas essayer de faire fonctionner votre grill à l'aide d'autres types de gaz. Ne pas essayer de convertir cette unité au GPL afin qu'elle fonctionne avec du gaz naturel. Le non-respect de cet avertissement pourrait entraîner un risque d'incendie et des dommages corporels et annulera votre garantie.

## AVERTISSEMENTS EN MATIÈRE DE GAZ PROPANE

1. Veillez à ce que la bonbonne de gaz soit achetée chez un fournisseur connu. Une bonbonne de gaz propane mal remplie ou trop remplie peut être dangereuse. La condition trop remplie en conjonction avec l'avertissement sur la bonbonne de gaz propane (une journée chaude d'été, la bonbonne laissée au soleil, etc.) peut provoquer la libération du gaz propane puisque l'augmentation de température entraîne l'expansion du gaz. Le gaz relâché du cylindre est inflammable et peut exploser.
2. Ne pas utiliser de bonbonne à GPL si celle-ci présente une vanne endommagée ou bien présente des signes de bosses, de renflements, de dommages causés par le feu, de corrosion, de fuites, de rouille excessive ou toute autre forme de dommages externes car ceux-ci peuvent s'avérer dangereux et devraient immédiatement être vérifiés par un fournisseur de gaz propane liquide.

**Si vous voyez, sentez ou entendez le sifflement de gaz qui s'échappe de la bonbonne, n'essayez pas d'allumer l'appareil. Éteindre toute flamme ouverte. Débrancher de l'alimentation en combustible.**

3. Ne pas brancher ou débrancher la bonbonne de gaz pendant que l'appareil est utilisé ou qu'il est encore chaud. Lorsque vous n'utilisez pas le grill, veillez à ce que le bouton du régulateur soit à « OFF » (Éteint) et débranchez le cylindre de gaz. Ne jamais déplacer ou transporter l'unité si la bonbonne de gaz est branchée à celle-ci. N'entreposez pas les bouteilles de rechange de propane liquide sous cet appareil ou à proximité.
4. Des bonbonne de gaz doivent être stockées à l'extérieur hors de portée des enfants et ne doivent pas être stockées dans un bâtiment, un garage ou toute autre zone de l'enceinte.

## MONOXYDE DE CARBONE (« le tueur silencieux »)

Le monoxyde de carbone est un gaz incolore, inodore et sans goût, produit par la combustion de gaz, de bois, de propane, de charbon ou autre combustible. Le monoxyde de carbone diminue la capacité du sang à transporter l'oxygène. De faibles taux d'oxygène dans le sang peuvent entraîner des maux de tête, des vertiges, des sentiments de faiblesse, des nausées, des vomissements, des somnolences, des confusions, des pertes de conscience, ou la mort. Suivez ces instructions pour empêcher ce gaz incolore et inodore d'empoisonner vos proches ou vous-même :

- Consultez un médecin si un individu ou vous-même développez des symptômes rappelant ceux d'une grippe alors que vous cuisinez ou que vous êtes à proximité de l'appareil. L'empoisonnement au monoxyde de carbone, pouvant facilement être confondu avec un rhume ou une grippe, est souvent détecté trop tard.
- La consommation d'alcool, de drogue et de médicaments augmente les effets de l'empoisonnement au monoxyde de carbone.

Le monoxyde de carbone est particulièrement toxique pour les mères et leur bébé pendant la grossesse, pour les nouveau-nés, les personnes âgées, les fumeurs et les personnes présentant des problèmes du sang ou du système circulatoire, comme l'anémie ou les maladies cardiaques.

## INFORMATIONS RELATIVES À LA SÉCURITÉ

Conformément aux procédures et spécifications répertoriées dans ANSI Z21.89-2017 · CSA 1.18-2017 « Appareils de cuisson au gaz d'extérieur spécialisés. » Les appareils de cuisson Pit Boss® Grills ont été testés indépendamment et répertoriés par CSA (un laboratoire d'essais accrédité) selon les normes CSA.



### AVIS SUR LES DROITS D'AUTEUR

Droit d'auteur 2021. Tous droits réservés. Nulle partie de ce manuel ne peut être reproduite, transmises, transcrite ou stockée dans un système de recherche de quelque façon que ce soit sans l'autorisation préalable écrite de,

#### Dansons

3411 North 5th Avenue, Suite 500, Phoenix, AZ, USA 85013  
sales@pitboss-grills.com | service@pitboss-grills.com  
[www.pitboss-grills.com](http://www.pitboss-grills.com)

#### Service à la clientèle

États-Unis: (480) 923-9630 | Canada (Sans Frais): 1-877-942-2246

## TABLE DES MATIÈRES

Informations concernant la sécurité .....	18
Connexion à une alimentation au gaz	
Exigences relatives à la bouteille de gaz .....	21
Installation d'une bouteille de gaz .....	21
Débrancher une bouteille de gaz .....	22
Instructions d'utilisation	
Environnement du plaque de cuisson .....	22
Préparation à l'utilisation – test d'étanchéité .....	23
Première utilisation - brûlage du plaque de cuisson .....	24
Procédure d'allumage .....	24
Procédure d'allumage manuel .....	25
Éteindre votre plaque de cuisson .....	25
Pliage pour le stockage - <b>PB757GD</b> .....	26
Entretien et maintenance .....	27
Conseils et techniques .....	28
Dépannage .....	29
Pièces de rechange .....	30
Garantie .....	32

# CONNEXION À UNE ALIMENTATION AU GAZ

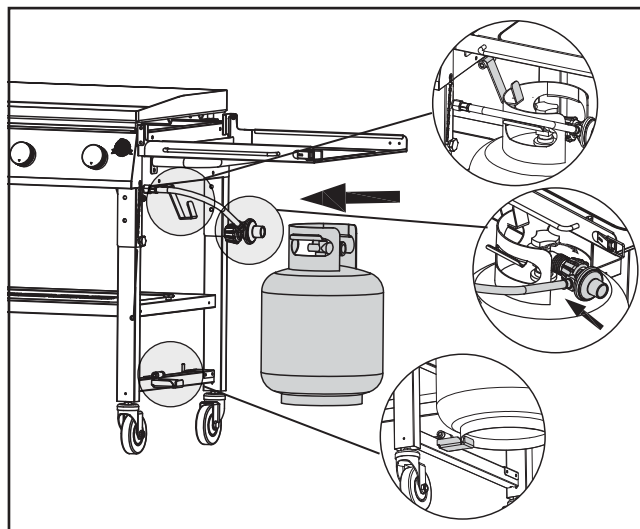
## EXIGENCES RELATIVES À LA BOUTEILLE DE GAZ

Le plaque de cuisson est réglé et testé avec du gaz propane liquide uniquement. Le régulateur fourni est conçu pour une colonne d'eau (WC) de 27,94 cm (11 pouces) et doit être utilisé uniquement avec du gaz de pétrole liquéfié. Le détendeur et le tuyau fournis en usine doivent être utilisés avec un poids de 9 kg (20 lb) réservoir de gaz propane. **Contactez votre fournisseur de gaz pour un régulateur spécial pour le gaz en vrac qui alimente d'autres appareils.**

**ATTENTION: Il est important d'inspecter toute la longueur du tuyau de la conduite de gaz. S'il est évident qu'il y a une abrasion ou une usure excessive, ou que le tuyau est coupé, le tuyau doit être remplacé avant l'utilisation de l'appareil.**

## INSTALLATION D'UNE BOUTEILLE DE GAZ

1. Sur le côté du chariot, placez l'anneau de pied du réservoir de 20 lb (9 kg) sur la terre. Assurez-vous que la valve du réservoir est en position OFF. Assurez-vous que le réservoir est complètement à la verticale, car il est dangereux de faire fonctionner l'appareil si le réservoir d'essence n'est pas installé correctement.
2. Assurez-vous que la valve du régulateur sur l'appareil est complètement fermée en tournant le bouton dans le sens des aiguilles d'une montre jusqu'à la position OFF.
3. Retirez les capuchons de protection de l'ouverture de la vanne de régulation et du haut de la bouteille de gaz. Gardez les bouchons.
4. Insérez la soupape de la bouteille de gaz dans l'ouverture fileté de la soupape du régulateur. Tournez le cylindre dans le sens des aiguilles d'une montre jusqu'à ce qu'il soit ferme. Serrez à la main seulement.
5. La bouteille de gaz est maintenant installée.



Le gril extérieur, lorsqu'il est installé, doit être mis à la terre conformément aux codes locaux ou, en l'absence de codes locaux, au Code national de l'électricité, ANSI / NFPA 70 ou au Code canadien de l'électricité, CSA C22.1.

1. N'entreposez pas la bonbonne de recharge de gaz LP à côté de cet appareil
2. Ne remplissez jamais la bouteille à plus de 80%.
3. Le non-respect scrupuleux des points 1 et 2 peut entraîner la mort ou de graves blessures.
4. Remettez le capuchon anti-poussière sur l'orifice de sortie du robinet de la bouteille quand celle-ci n'est pas utilisée. N'installez sur l'orifice de sortie du robinet de la bouteille que le type de capuchon anti-poussière fourni avec le robinet. D'autres capuchons ou bouchons pourraient provoquer des fuites de propane.

## DÉBRANCHER UNE BOUTEILLE DE GAZ

1. Assurez-vous que la valve du régulateur sur le gril est complètement fermée en tournant le bouton dans le sens des aiguilles d'une montre jusqu'à la position OFF.
2. Tournez la bouteille dans le sens contraire des aiguilles d'une montre (à la main) pour la déconnecter de l'ouverture de la vanne de régulation. Remettez en place les capuchons de protection sur l'ouverture du robinet du régulateur et le haut de la bouteille de gaz (s'ils ne sont pas vides).

**REMARQUE: Si vous rangez le gril à l'intérieur, laissez la bouteille de gaz à l'extérieur.**

**AVERTISSEMENT: Ne pas plier ou transporter la grille avec la bouteille de gaz attachée. La bouteille peut se desserrer de la vanne et provoquer une fuite de gaz pouvant entraîner une explosion, un incendie ou des lésions corporelles graves. Débranchez d'abord la bouteille de gaz avant de voyager ou de la ranger.**

# INSTRUCTIONS D'UTILISATION

## ENVIRONNEMENT DU PLAQUE DE CUISSON

### 1. OÙ INSTALLER LE GRILL

Avec tous les appareils d'extérieur, les conditions climatiques extérieures jouent un rôle important dans le rendement de votre plaque de cuisson et le temps de cuisson nécessaire pour compléter vos repas. Toutes les unités Pit Boss® devraient garder un dégagement minimum de 1 270 mm (50 pouces) des constructions combustibles, et cette distance doit être maintenue pendant la cuisson. Cet appareil ne doit pas être placé sous un plafond ou un surplomb combustible. Gardez votre gril dans une zone dégagée et exempte de matières combustibles, d'essence et d'autres vapeurs et liquides inflammables.

### 2. CUISINER PAR TEMPS FROID

Lorsqu'il commence à faire plus frais à l'extérieur, cela ne signifie pas que la saison des grillades est terminée! L'air frais et l'arôme divin des aliments grillés aideront à guérir votre blues d'hiver. Suivez ces suggestions sur la façon de profiter de votre gril pendant les mois les plus frais :

- Organisez – Préparez tout ce dont vous avez besoin dans la cuisine avant de vous diriger à l'extérieur. Pendant l'hiver, déplacez votre gril dans un endroit protégé du vent et du froid. Vérifiez les règlements locaux concernant la proximité de votre gril par rapport à votre maison et/ou autres constructions. Mettez tout ce dont vous avez besoin sur un plateau, emballez et lancez-vous!
- Pour suivre la température extérieure, placez un thermomètre extérieur près de votre zone de cuisson. Gardez un journal ou un historique de ce que vous avez préparé, de la température extérieure et du temps de cuisson. Cela sera utile plus tard pour vous aider à déterminer ce qu'il faut cuisiner et combien de temps cela prendra.
- Ayez un plateau chauffé ou un couvercle de plat prêt à garder votre nourriture au chaud tout en faisant le voyage à l'intérieur.

### 3. CUISINER PAR TEMPS CHAUD

À mesure qu'il fait plus chaud à l'extérieur, le temps de cuisson diminue. Suivez ces suggestions sur la façon de profiter de votre gril pendant les mois chauds :

- Ajustez à la baisse vos températures de cuisson. Cela permet d'éviter les poussées indésirables.
- Utilisez un thermomètre à viande pour déterminer la température interne de vos aliments. Ceci permet d'éviter que votre viande ne soit trop cuite ou se dessèche.
- Vous pouvez garder vos aliments chauds au chaud en les enveloppant dans du papier aluminium et en les plaçant dans une glacière isolée. Placez du papier journal froissé autour du papier aluminium et cela tiendra la nourriture chaude pendant 3 à 4 heures.



## PRÉPARATION POUR L'UTILISATION - ESSAI D'ÉTANCHÉITÉ

Un essai d'étanchéité est utilisé afin de déterminer l'intégrité du joint. Avant d'utiliser votre grill à gaz, vous devez effectuer un essai d'étanchéité sur le raccord entre le régulateur et la bonbonne de gaz afin de réduire le risque de blessures corporelles graves ou de mort en raison d'un incendie ou d'une explosion. Un essai d'étanchéité devrait être effectué au moins une fois par saison, ainsi que :

- avant d'allumer votre grill pour la toute première fois,,
- à chaque fois que votre bonbonne de gaz a été changée,
- après un voyage, plus particulièrement par-dessus les routes cahoteuses,
- après une période d'entreposage prolongée ou de non-utilisation.

### COMMENT EFFECTUER UN ESSAI D'ÉTANCHÉITÉ

#### Fournitures nécessaires :

- 1 x Bol (*vide, propre*)
- 1 x Pinceau (*propre*)
- Liquide à vaisselle
- Eau

#### Procédure :

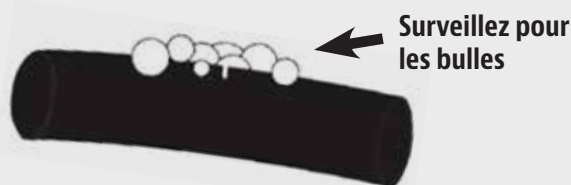
1. Placez le grill dans un endroit bien ventilé. Assurez-vous que le grill est froid au toucher et qu'il n'est pas allumé. Veillez à ce que la vanne du régulateur soit à la position « OFF » et que le cylindre de gaz soit bien serré au régulateur.

**IMPORTANT : Veillez à ce qu'il n'y ait aucune flamme ouverte ou fumoir à proximité.**

2. Mélangez une solution d'une mesure d'eau avec une mesure de liquide à vaisselle dans un bol. La solution créera des bulles, car elle sera concentrée..
3. Utilisez un pinceau pour appliquer la solution sur le joint entre le régulateur et la bonbonne de gaz. Faites une inspection visuelle afin de déceler la présence de flots de bulles provenant d'un défaut ou d'un bris du sceau.

**REMARQUE : Si une fuite apparait, veuillez répéter la procédure d'installation de la bonbonne à gaz, mais ne pas trop serrer. Serrez uniquement à la main. Effectuer l'essai d'étanchéité à nouveau après l'installation afin de veiller à ce que le joint soit étanche.**

**IMPORTANT : Ne pas utiliser le grill à gaz si vous décelez une fuite de gaz qui ne peut être corrigée à l'aide de la procédure de l'essai d'étanchéité. Veuillez communiquer avec votre service d'incendie local ou le Service à la clientèle afin de déterminer des mesures d'essai alternatives pour assurer une précaution appropriée.**



## PRÉPARATION À L'UTILISATION – BRÛLAGE DU PLAQUE DE CUISSON

Avant d'utiliser votre plaque de cuisson pour la première fois avec des aliments, il est important d'effectuer un brûlage du plaque de cuisson. Allumez le plaque de cuisson et faire fonctionner pendant au moins 15 minutes à HAUT pour brûler l'unité. Cela «nettoiera à chaud» les composants internes, dissipera les odeurs et vous débarrasser de toute substance étrangère.

### PROCÉDURE D'ALLUMAGE

1. Vérifiez que tous les boutons de commande sont en position de ARRÊT.
2. Branchez la bouteille de gaz de pétrole liquéfié selon les instructions. Positionnez la vanne de la bouteille de gaz de pétrole liquéfié sur OUVERT.
3. Observez le repère indicateur sur le bouton de commande. Appuyez et maintenez enfoncé le bouton de commande sur la plaque de cuisson et tournez à 90 degrés (ou 1/4) dans le sens inverse des aiguilles d'une montre LENTEMENT (deux à trois secondes) jusqu'à HAUT. Vous devriez entendre un « clic » pour indiquer une étincelle de l'allumeur, et chercher la flamme pour vous assurer que le brûleur est allumé. Si ce n'est pas le cas, répétez l'opération jusqu'à trois fois.
4. Si l'allumage n'a pas lieu dans les cinq secondes, tournez le bouton de commande sur ARRÊT, attendez cinq minutes et répétez la procédure d'allumage. Si les points ci-dessus ne fonctionnent pas, suivez les instructions de la **procédure d'allumage manuel**.
5. Une fois que le brûleur a pris feu, vous êtes prêt à profiter de votre plaque de cuisson à la température désirée !

**Si le brûleur s'éteint en cours de fonctionnement, tournez les boutons de commande en position de ARRÊT. Attendez cinq minutes avant d'essayer de rallumer pour permettre au gaz accumulé de se dissiper.**

### PROCÉDURE EN CAS DE PROBLÈME D'ALLUMEUR

**Si pour une raison quelconque votre allumeur électrique ne fonctionne pas après trois ou quatre tentatives, utilisez les étapes suivantes ou lancez votre gril en mode manuel.**

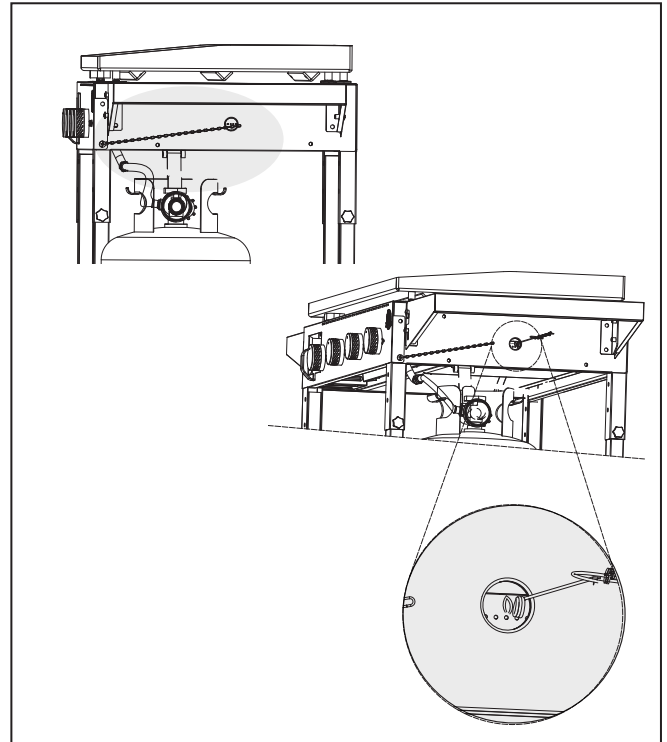
1. Vérifiez que le bouton du régulateur est en position OFF. Laissez tout gaz accumulé se dissiper.
2. Après cinq minutes, vérifiez les éléments suivants :
  - Confirmez visuellement que l'allumeur fonctionne en enfonçant le bouton de l'allumeur et en recherchant une étincelle à la pointe de l'allumeur. En cas d'absence d'étincelle, réglez la distance entre la pointe de l'allumeur (électrode) et le brûleur à 4,5 mm (3/16 po.).
  - Confirmez visuellement que le tube du brûleur et les hublots ne sont pas obstrués. En cas de blocage, suivez les instructions d'Entretien et maintenance.
3. Si l'un des points ci-dessus ne fonctionne pas, suivez les instructions de **Dépannage**.

## PROCÉDURE D'ALLUMAGE MANUEL

1. Vérifiez que tous les boutons de commande sont en position de ARRÊT.
2. Branchez la bouteille de gaz de pétrole liquéfié selon les instructions. Positionnez la vanne de la bouteille de gaz de pétrole liquéfié sur OUVERT.
3. Observez le repère indicateur sur le bouton de commande. Enfoncez le bouton du régulateur et tournez à 90 degrés (ou 1/4) dans le sens inverse des aiguilles d'une montre jusqu'à la position HAUT.
4. Rapidement et avec précaution, utilisez une allumette en feu fixée avec la tige d'allumage (fournie avec la plaque de cuisson) pour allumer les brûleurs. Accédez aux brûleurs par la plaque de cuisson et la plaque chauffante. Placez l'allumette en feu près du côté du brûleur. N'essayez pas d'allumer une autre zone du brûleur. Cela peut provoquer des blessures.

**REMARQUE : n'utilisez pas d'alcool, d'essence à briquet ou de kérosène pour allumer ou raviver un feu dans votre plaque de cuisson.**

5. Une fois que le brûleur a pris feu, vous êtes prêt à profiter de votre plaque de cuisson à la température désirée!



## ÉTEINDRE VOTRE PLAQUE DE CUISSON

1. Une fois la cuisson terminée, tournez la vanne du réservoir de gaz de pétrole liquéfié en position fermée et laissez le bouton du régulateur sortir. Ce dispositif de sécurité verrouille le bouton du régulateur pour s'assurer que le gaz ne s'écoule plus.
2. Tourné les boutons de commande sur la position de ARRÊT.

**REMARQUE : un bruit de « pouf » est normal car le reste du gaz de pétrole liquéfié est brûlé.**

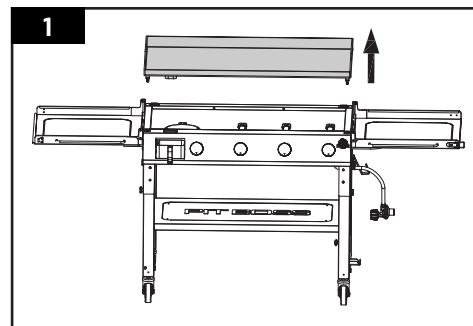
3. Débranchez la bouteille de gaz de pétrole liquéfié conformément à la section **Débrancher la bouteille de gaz de pétrole liquéfié.**

**AVERTISSEMENT : laissez le gril refroidir totalement, et retirez la bouteille de gaz avant tout déplacement, voyage ou stockage.**

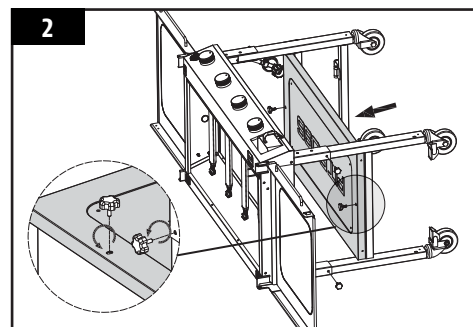
## PLIAGE POUR LE STOCKAGE - PB757GD

Votre plaque de cuisson peut être pliée rapidement et facilement pour le stockage et le transport. Pour plier et ranger votre plaque de cuisson en toute sécurité, il suffit de suivre les instructions de montage à l'envers ou le résumé suivant :

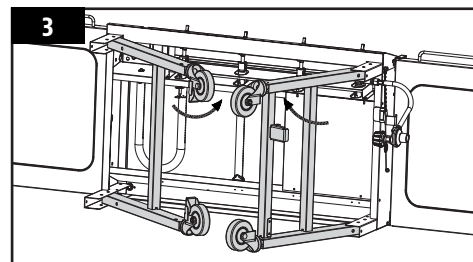
1. Retirez délicatement la plaque chauffante de la chambre de combustion. C'est plus facile avec deux personnes, mais ce n'est pas nécessaire.



2. Posez le foyer sur le côté avec les boutons de commande sur le dessus. Retirez les deux boulons de l'étagère du bas. Retirez l'étagère du bas.

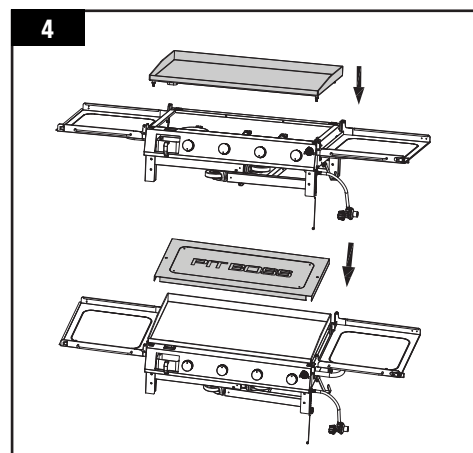


3. Desserrez les quatre boulons, un pour chaque jambe. Tirez sur les broches du système de verrouillage pour replier les jambes du chariot afin de le rabattre.

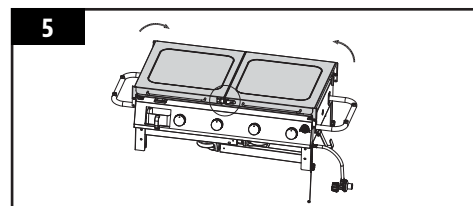


**REMARQUE : Pour ne pas les égarer, réinstallez les boulons dans le chariot et l'étagère inférieure une fois que le chariot est complètement replié.**

4. soulevez délicatement l'unité dans sa position verticale appropriée avec les roues en bas. Replacez la plaque chauffante sur le dessus de la chambre de combustion. Placez l'étagère du bas sur la plaque chauffante.



5. Fermez les étagères latérales et verrouillez le loquet avant.



# ENTRETIEN ET MAINTENANCE

## VÉRIFIEZ LE NIVEAU DE GAZ

Pour vérifier le niveau de gaz dans la bonbonne de gaz propane liquide, le gril doit être en fonction. Placez votre main au-dessus de la bonbonne et descendez doucement sur le côté jusqu'à ce que le réservoir soit froid au toucher. Ceci vous indiquera la quantité approximative de gaz dans votre bonbonne, si elle est au  $\frac{3}{4}$  vide, il vous faudra alors la remplacer.

**IMPORTANT : Ne pas utiliser de briquettes de charbon ou toute autre matière inflammable avec votre gril. L'utilisation de ces matériaux annulera votre garantie et pourrait entraîner un risque d'incendie, une explosion ou des dommages corporels.**

## FRÉQUENCE DE NETTOYAGE

Votre unité Pit Boss® Grills vous servira fidèlement pendant de longues années tout en minimisant les efforts de nettoyage. Suivez ces conseils de nettoyage et d'entretien pour réviser votre gril :

### 1. LES COMPOSANTES DU BRÛLEUR

- Nettoyez le brûleur chaque fois que vous constatez une accumulation importante, afin de vous assurer qu'il n'y a pas de signes d'obstruction (débris, insectes) sur le tube ou dans les orifices du brûleur. Après des périodes de stockage, les araignées ou les petits insectes peuvent construire des nids, des toiles et pondre des œufs dans le tube du brûleur, ce qui obstrue le flux de gaz vers ce dernier. En cas de stockage de la plaque de cuisson ou avant une longue période de non-utilisation, retirez le brûleur et enveloppez-le dans du papier d'aluminium pour réduire le risque que des insectes pénètrent dans les trous du brûleur.
- Le brûleur a été préréglé pour assurer une performance optimale de la flamme. Une flamme bleue, éventuellement avec une petite pointe jaune, est le résultat d'un mélange optimal d'air et de gaz. Si les flammes sont excessivement jaunes, oranges ou irrégulières, nettoyez les dépôts d'huile et de nourriture sur la surface du brûleur et les orifices du brûleur pour augmenter le débit d'air.

### 2. SURFACE DU PLAQUE DE CUISSON

- Votre plaque de cuisson est pré-assaisonnée en usine, mais il est important de la nettoyer et de l'assaisonner après chaque utilisation pour éviter la rouille, prolonger sa durée de vie et créer une surface de cuisson antiadhésive. L'assaisonnement de votre plaque de cuisson est un processus continu qui doit être répété pendant toute la durée de vie de votre plaque afin de garantir la meilleure expérience de cuisson et la plus longue durée de vie de votre plaque.
  1. Nettoyez la plaque de cuisson après chaque utilisation, en utilisant une spatule ou un grattoir pour enlever tous les aliments et les débris de la surface de cuisson.
  2. Appliquez généreusement une couche uniforme d'huile de cuisson sur la surface de cuisson. Les huiles végétales, d'olive, d'arachide, de noix de coco et de sésame conviennent toutes à l'assaisonnement de votre plaque de cuisson.
  3. Éteignez la plaque de cuisson et laissez-la refroidir dans un endroit frais et sec.
- Retirez les aliments ou les accumulations de la surface de cuisson. Notre recommandation est de le faire pendant qu'elle est encore chaude grâce à l'utilisation préalable de la part d'un autre cuisinier. Les feux provoqués par la graisse sont dus à une trop grande quantité de débris déposés sur les éléments de cuisson de la plaque de cuisson. Nettoyez régulièrement l'intérieur de votre plaque de cuisson. En cas de feu provoqué par la graisse, retirez soigneusement les aliments et éteignez la plaque de cuisson. Si vous avez du bicarbonate de soude, saupoudrez-en légèrement.
- Vérifiez souvent votre récipient à graisse et nettoyez-le si nécessaire. Gardez à l'esprit le type d'aliments qui sont cuits.
- Utilisez une couverture afin de protéger votre plaque de cuisson pour une protection complète! Une couverture est votre meilleure protection contre les intempéries et les polluants extérieurs. Lorsqu'elle n'est pas utilisée ou pour un stockage à long terme, conservez l'unité sous une couverture dans un garage ou un hangar, sans la bonbonne de gaz (doit être conservée à l'extérieur).

**TABLEAU DE NETTOYAGE (UTILISATION NORMALE)**

ARTICLE	FRÉQUENCE DE NETTOYAGE	MÉTHODE DE NETTOYAGE
Surface de cuisson	Après chaque utilisation	Brûler le surplus, éponge à gratter et eau savonneuse, assaisonner avec d'huile de cuisson
Récipient à graisse	Après chaque utilisation	Vider, éponge à gratter et eau savonneuse
Le tube du brûleur, les hublots	Toutes les 5-6 sessions de cuisson	Poussière, éponge à gratter et eau savonneuse
Les diffuseurs de flamme	Toutes les 5-6 sessions de cuisson	Éponge à gratter et eau savonneuse
Les brûleurs	Toutes les 5-6 sessions de cuisson	Éponge à gratter et eau savonneuse

## CONSEILS ET TECHNIQUES

Suivez ces astuces et techniques utiles, transmises par les propriétaires de produits Pit Boss®, notre équipe et nos clients tels que vous, afin de vous familiariser avec votre gril :

### 1. SÉCURITÉ ALIMENTAIRE

- Maintenez le contenu de la cuisine et de la zone de cuisson propre. Utilisez des plats et ustensiles différents pour la viande cuite et la préparation ou le transport de la viande crue sur le gril. Vous pourrez ainsi éviter une contamination croisée de bactéries. Chaque marinade ou jus de cuisson doit posséder ses propres ustensiles.
- Maintenez au chaud les aliments chauds (au-dessus de 60 °C/140 °F) et au frais les aliments froids (en dessous de 3 °C/37 °F). Les aliments cuits ne doivent pas être laissés dehors dans la chaleur durant plus d'une heure. Ne laissez pas les aliments chauds sans réfrigération durant plus de deux heures.
- Une marinade ne doit jamais être conservée et utilisée ultérieurement. Si vous comptez la servir avec votre viande, faites-la préalablement bouillir.
- Décongelez et faites mariner la viande par réfrigération. Ne la faites pas décongeler à température ambiante ou sur un plan de travail. Des bactéries peuvent se développer et se multiplier rapidement au sein d'aliments tièdes et humides. Lavez-vous minutieusement les mains avec de l'eau chaude et savonneuse avant la préparation d'un repas et après avoir manipulé de la viande, du poisson et de la volaille.

### 2. PRÉPARATION POUR LA CUISSON

- Préparez-vous bien. Placez la recette, les combustibles, les accessoires, les ustensiles et tous les ingrédients dont vous avez besoin près du gril avant de débiter la cuisson. Lisez également toute la recette avant d'allumer le gril.
- Un tapis de protection pour barbecue est très utile. Étant donné les risques d'éclaboussures et d'accidents en manipulant de la nourriture, un tapis protège les terrasses, patios ou plateformes en pierre contre les taches de graisse ou les renversements accidentels.

### 3. ASTUCES ET TECHNIQUES DE CUISSON

- Utilisez toujours un thermomètre de cuisson pour déterminer la température interne des aliments que vous cuisinez. Pour que votre nourriture reste chaude, une bonne astuce consiste à la placer sur un plat chauffé. La viande rouge, telle que les steaks et les rôtis, est meilleure si vous la laissez reposer quelques minutes avant de la servir. Cela permet au jus ayant été attirés vers la surface par la chaleur de revenir vers le centre de la viande, ajoutant ainsi plus de saveur.
- Il vaut mieux ajouter les sauces sucrées vers la fin de la cuisson pour éviter que la viande ne brûle ou flambe.
- Utilisez un ensemble de pinces à manche long pour tourner la viande et une spatule pour tourner les steaks hachés et le poisson. Utilisez un ustensile perçant, tel qu'une fourchette, piquera la viande et laissera le jus s'échapper.

Les accessoires sont disponibles séparément à l'achat. Contactez votre revendeur local agréé par Pit Boss® ou consultez [www.pitboss-grills.com](http://www.pitboss-grills.com).

# DÉPANNAGE

Un nettoyage et une maintenance adaptés, ainsi que l'utilisation de combustible propre, sec et de qualité évitera la plupart des problèmes de fonctionnement. Lorsque votre gril Pit Boss® est mal ou peu utilisé, les astuces de dépannage suivantes peuvent s'avérer utiles. Pour consulter des FAQ, rendez-vous sur [www.pitboss-grills.com](http://www.pitboss-grills.com). Vous pouvez également contacter votre revendeur local agréé par Pit Boss® ou le service clients pour obtenir de l'aide.

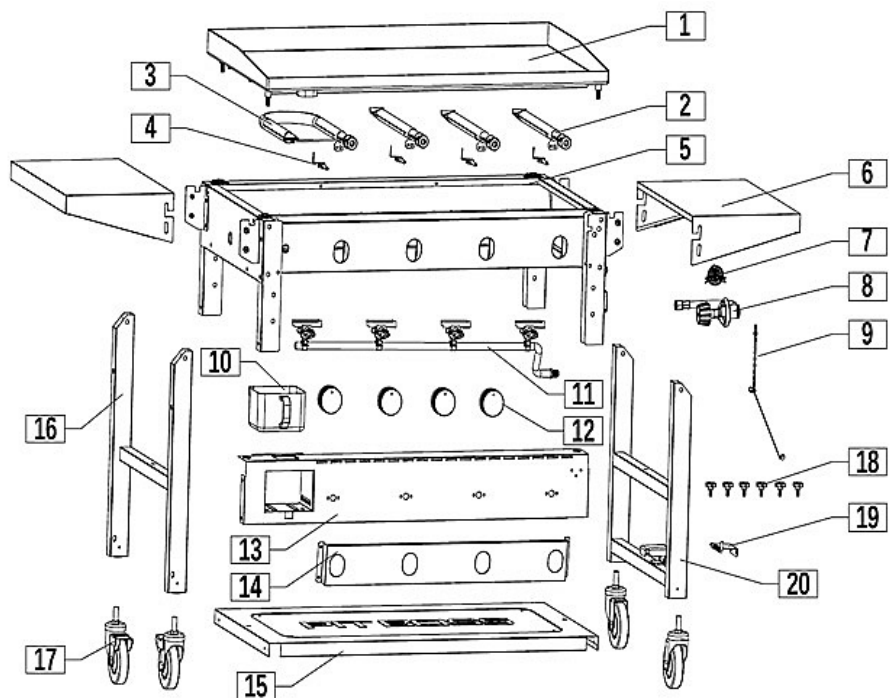
**ATTENTION : Veillez à ce que le gril soit totalement froid afin d'éviter toute blessure.**

PROBLÈME	CAUSE	SOLUTION
Le brûleur ne s'allumera pas	Le fil d'allumage est cassé	Contactez le service clients pour obtenir de l'aide ou une pièce de rechange.
	La pointe de l'électrode ne produit pas d'étincelles sur les orifices du brûleur	Réglez l'électrode. Contactez le service clients pour obtenir de l'aide ou une pièce de rechange.
	Pas d'alimentation en gaz	Vérifiez la vanne du régulateur. Vérifiez l'absence de fuite sur la connexion.
Flambée excessive	Grillade de viandes grasseuses	Grillez les viandes grasseuses lorsque les grilles sont froides et que les boutons se trouvent sur le réglage « LOW ». Déplacez les viandes sur l'étagère de réchauffage si la flambée continue.
	Température de cuisson	Essayez de cuire à plus faible température. La graisse possède un point d'inflammabilité. Maintenez une température inférieure à 176 °C/350 °F lorsque vous cuisez des aliments très gras.
	Eau pulvérisée sur les flammes du gaz	Ne pulvérisez pas d'eau sur les flammes du gaz.
Le brûleur s'éteint	Aucun débit de gaz	Vérifiez le raccordement au gaz et assurez-vous qu'il soit ouvert. Remplacez la bonbonne de gaz si elle est vide.
	Les rafales ou les vents forts	Tournez l'avant du gril hors du vent ou bien augmentez la hauteur de la flamme.
Faible chaleur avec le réglage « HIGH »	Les orifices sont obstrués	Nettoyez les orifices des obstructions.
	La bouteille de gaz est vide	Remplissez la bouteille de gaz.
Fuite de gaz	Mauvaise installation	Tournez le bouton du régulateur à la position « OFF » (Arrêt) et laissez le bouton s'éjecter. Enlevez la bonbonne de gaz. Installez à nouveau et serrez. Effectuez un essai d'étanchéité afin de garantir le fonctionnement du joint. Remplacez la bonbonne si celle-ci est endommagée.
	Défaillance du joint	Le cylindre à gaz est corrodé, rouillé ou a été mal traité. Remplacez la bonbonne.
	Panne du régulateur	Le régulateur doit être remplacé. Contactez le service à la clientèle pour des pièces de rechange.
Les flammes du brûleur sont jaunes ou oranges	Mauvais débit d'air	Vérifiez le tube du brûleur et les hublots afin de déceler la présence de toiles d'araignée ou toute autre obstruction. Suivez les instructions d' <b>entretien et de maintenance</b> pour nettoyer le tube du brûleur.
	Tube de brûleur, hublots obstrués	Vider le plateau à graisse l'installer à nouveau. Suivez les instructions d' <b>entretien et de maintenance</b> .
	Le plateau à graisse est plein, il coule sur le sol	Vérifiez la connexion de la vanne du régulateur à la bonbonne de gaz. Enlevez puis installez à nouveau. Effectuez un essai d'étanchéité.
	La vanne du régulateur est fermée	Tournez le bouton du régulateur à ÉLEVÉ pendant cinq minutes et faites brûler l'unité. Suivez les instructions d' <b>entretien et de maintenance</b> .
	Le brûleur est sale	Turn regulator knob to HIGH for five minutes, and burn-off the unit. Follow <b>Care and Maintenance</b> instructions.



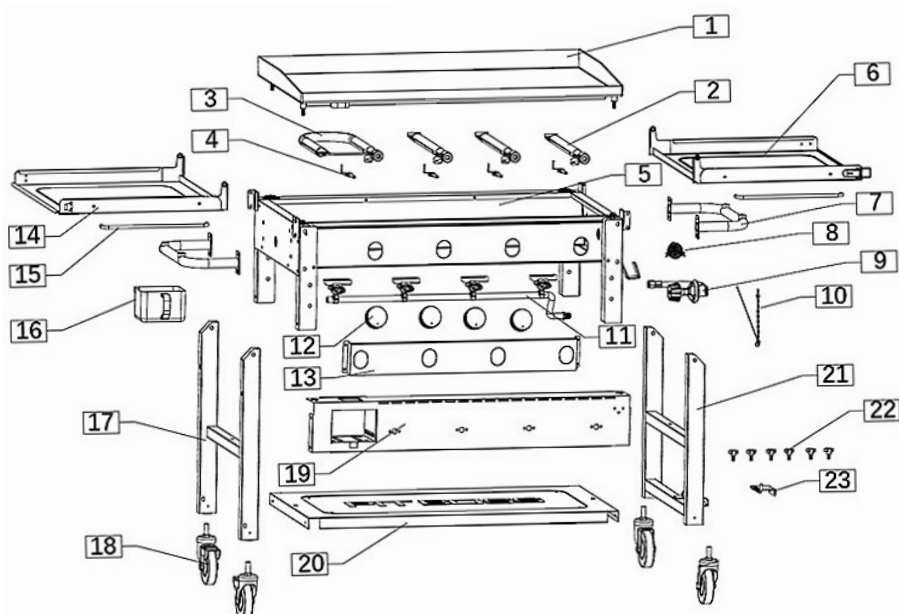
# PIÈCES DE RECHANGE - PB757GS

No.	Description
1	Plaque chauffante
2	Brûleur principal A : trois par gril
3	Brûleur principal B
4	Fil d'allumage du brûleur principal : quatre par gril
5	Chambre de combustion
6	Étagère latérale : deux par gril
7	Plaque d'identification
8	Assemblage des régulateurs
9	Baguette d'allumage
10	Récipient à graisse
11	Assemblage de la vanne de gaz principale et du collecteur principal
12	Bouton de réglage du gaz : quatre par gril
13	Panneau de commande
14	Bouclier thermique
15	Étagère du bas
16	Assemblage d'une jambe de chariot, gauche
17	Roulette ; verrouillage ; quatre par gril
18	Vis de poignée : six par gril
19	Loquet
20	Assemblage d'une jambe de chariot, droite



# PIÈCES DE RECHANGE - PB757GD

No.	Description
1	Plaque chauffante
2	Brûleur principal A : trois par gril
3	Brûleur principal B
4	Fil d'allumage du brûleur principal : quatre par gril
5	Chambre de combustion
6	Étagère du côté droit
7	Ensemble de poignées latérales : deux par gril
8	Plaque d'identification
9	Assemblage des régulateurs
10	Baguette d'allumage
11	Assemblage de la vanne de gaz principale et du collecteur principal
12	Bouton de réglage du gaz : quatre par gril
13	Bouclier thermique
14	Étagère du côté gauche
15	Poignée de l'étagère latérale : deux par gril
16	Réceptacle à graisse
17	Assemblage d'une jambe de chariot, gauche
18	Roulette ; verrouillage ; quatre par gril
19	Panneau de commande
20	Étagère du bas
21	Assemblage d'une jambe de chariot, droite
22	Vis de poignée : six par gril
23	Loquet



# GARANTIE

## CONDITIONS

Tous les foyers de gaz de Pit Boss® Grills, fabriquées par Dansons, contiennent une garantie limitée à partir de la date de vente par le propriétaire initial. La garantie entre en vigueur à la date d'achat, et une preuve de la date d'achat ou copie de votre achat de vente original est requise pour valider la garantie. Si le client n'est pas en mesure de produire une preuve de l'achat ou si la date de couverture de la garantie est dépassée, il sera tenu de payer les pièces, l'expédition et la main-d'œuvre. Dansons offre une garantie de deux ans (2) contre les défauts et fabrication sur toutes les pièces. Dansons garantit que toute partie(s) sont exempte de défauts de matériel et de fabrication, pour la durée d'utilisation et de propriété de l'acheteur initial. La garantie ne couvre pas les dommages causés par l'usure, tels que les rayures, les bosses, les coups, les éclats ou les fissures cosmétiques mineures. Ces changements esthétiques du gril n'affectent pas sa performance. La réparation ou le remplacement d'une pièce ne prolonge pas la garantie limitée au-delà de deux ans (2) prévue à partir de la date d'achat.

Pendant la période de la garantie limitée, l'obligation de Dansons se limitera à fournir le remplacement des composants couverts et/ou défectueux. Tant que cela se produit pendant la période de la garantie, Dansons ne vous facturera pas sur la réparation ou le remplacement des pièces retournées, le port-payé, si Dansons détermine que ces pièces se révèlent défectueuses après inspection. Dansons ne sera pas tenu responsable des frais de transport, du coût salarial ou des droits d'exportation. Sauf disposition contraire dans ces conditions de garantie, la réparation ou le remplacement des pièces de la façon et pour la durée fixée ci-dessous, remplira le devoir de toutes les responsabilités et obligations directes et dérivées de Dansons Inc. envers vous. Dansons Inc. prend toutes les précautions pour utiliser les matériaux qui retardent la formation de la rouille. Même avec ces garanties, le revêtement protecteur peut être compromis par diverses substances et conditions qui échappent au contrôle de Dansons. Les hautes températures, l'humidité excessive, le chlore, les gaz industriels, les engrais, les pesticides utilisés pour les pelouses et le sel sont quelques-unes des substances pouvant affecter les revêtements métalliques. C'est pour ces raisons que les garanties limitées ne couvrent pas la rouille ni l'oxydation, à moins que les composants du gril présentent une perte d'intégrité structurelle. Si les scénarios décrits ci-dessus devaient se produire, veuillez vous référer à la section de soin et d'entretien pour prolonger la durée de vie de votre unité. Dansons recommande l'utilisation d'une couverture lorsque le gril n'est pas utilisé.

Les garanties s'appliquent à un usage domestique et une utilisation normale du gril et aucune des garanties limitées ne s'applique à un gril utilisé pour des applications commerciales.

## EXCEPTIONS

Il n'existe pas de garantie de performance écrite ou implicite sur les produits Pit Boss® Grills car le fabricant ne contrôle pas l'installation, le fonctionnement, le nettoyage, l'entretien ou le type de combustible brûlé. La garantie limitée ne s'appliquera pas, et Dansons n'assumera aucune responsabilité, si votre appareil n'a pas été installé, opéré, nettoyé et entretenu conformément aux instructions du fabricant. Toute utilisation de gaz non précisée dans ce manuel peut annuler la garantie. La garantie ne couvre pas les dommages ou ruptures causées par une mauvaise utilisation, mauvaise manutention ou des modifications.

Dansons et les fournisseurs autorisés Pit Boss® Grills déclinent toute responsabilité, légale ou autre, quant aux dommages accidentels ou consécutifs à la propriété ou aux personnes résultant de l'utilisation de ce produit. Si une réclamation est retournée contre Dansons basée sur la violation de cette garantie ou de tout autre type de garantie explicite ou implicite en droit, le fabricant ne sera en aucun cas tenu responsable des dommages-intérêts spéciaux, punitifs ou indirects de quelque nature que ce soit en surplus du prix d'achat original de ce produit. Toutes les garanties du fabricant sont énoncées ici et aucune réclamation ne sera effectuée contre le fabricant par le biais d'une garantie ou de représentation.

Certaines provinces n'autorisent pas l'exclusion ou la limitation des dommages accidentels ou consécutifs, ou les limitations des garanties implicites, de sorte qu'il est possible que les exclusions et limitations énoncées dans cette garantie limitée ne s'appliquent pas à vous. Cette garantie limitée vous donne des droits légaux spécifiques, et vous pourriez aussi avoir d'autres droits légaux qui pourront varier selon l'état ou la province.

## COMMANDER DES PIÈCES DE RECHANGE

Pour commander des pièces de rechange, veuillez contacter votre revendeur local ou consulter notre boutique en ligne à l'adresse suivante : [www.pitboss-grills.com](http://www.pitboss-grills.com)

## CONTACTER LE SERVICE CLIENTS

Si vous avez la moindre question ou si vous rencontrez des problèmes, contactez le service clients.

[service@pitboss-grills.com](mailto:service@pitboss-grills.com) | États-Unis : (480) 923-9630 | Canada (Sans Frais) : 1-877-942-2246

## SERVICE DE LA GARANTIE

Contactez le revendeur de Pit Boss® le plus proche de chez vous si vous avez besoin d'une réparation ou de pièces de rechange. Dansons exige une preuve d'achat afin d'établir une réclamation sous garantie. Ainsi, conservez votre reçu ou votre facture d'origine pour vous y référer ultérieurement. Le numéro de série et de modèle de votre appareil Pit Boss® se trouve au dos de l'unité. Les numéros d'enregistrement ci-dessous ainsi que l'étiquette peuvent s'user ou devenir illisibles.

---

MODÈLE

---

NUMÉRO DE SÉRIE

---

DATE D'ACHAT

---

REVENDEUR AGRÉÉ

# INFORMACIÓN DE SEGURIDAD

**LAS PRINCIPALES CAUSAS DE INCENDIOS DE APARATOS SON FRUTO DE UN MANTENIMIENTO DEFICIENTE Y DE QUE NO SE MANTENGA EL ESPACIO SUFICIENTE ENTRE EL APARATO Y LOS MATERIALES COMBUSTIBLES. ES DE SUMA IMPORTANCIA QUE ESTE PRODUCTO SE USE EXCLUSIVAMENTE DE ACUERDO CON LAS INSTRUCCIONES SIGUIENTES.**

Lea y entienda todo el manual antes de intentar montar, manejar o instalar el producto. Esto le garantizará un disfrute completo y un funcionamiento sin problemas de su nueva barbacoa de pélets de madera. También le recomendamos que conserve este manual para futuras consultas.

## PELIGROS Y ADVERTENCIAS

 PELIGRO	 ADVERTENCIA	CÓDIGOS DE INSTALACIÓN DE LA BARBACOA
<p>Si detecta olor a gas:</p> <ul style="list-style-type: none"><li>• Cierre la entrada de gas al aparato</li><li>• Apague cualquier llama.</li><li>• Abra la tapa.</li><li>• Si el olor persiste, manténgase alejado del aparato y llame de inmediato al suministrador de gas o a los bomberos.</li></ul>	<ul style="list-style-type: none"><li>• No guarde ni utilice gasolina ni otros líquidos o vapores inflamables cerca de este u otro aparato.</li><li>• No guarde cerca de este u otros aparatos ningún tanque de gas licuado que esté desconectado para su uso.</li></ul>	<ul style="list-style-type: none"><li>• La instalación debe ser conforme a los códigos locales o, en su ausencia, al código nacional de gas combustible, ANSI Z 223.1/NFPA 54, código de instalación de gas natural y propano, CSA B149.1 o código de almacenamiento y manipulación del propano, B149.2.</li><li>• Los modelos de barbacoa a gas licuado están diseñados para su uso con un tanque de gas propano líquido estándar de 9 kg (20 lb.), no incluido con la barbacoa. Nunca conecte la barbacoa a gas a un tanque de gas licuado que exceda esta capacidad.</li></ul>

**Debe ponerse en contacto con los encargados locales de su vivienda, edificio o de los bomberos, o autoridad competente, para obtener los permisos necesarios, misión o información sobre cualquier restricción de la instalación, como los de cualquier barbacoa que se instale en una superficie combustible, requisitos de inspección o incluso la capacidad de uso, de su zona.**

1. Debe mantenerse una distancia mínima de 1,270 mm (50 pulgadas) entre los recipientes de combustible y los lados de la barbacoa, y de 1,270 mm (50 pulgadas) entre la parte posterior de la barbacoa y los recipientes de combustible. **No instale el aparato en suelos combustibles o en suelos protegidos con superficies combustibles a menos que se obtengan los permisos y autorizaciones correspondientes de las autoridades competentes.** No use este aparato en el interior, en áreas cerradas o no ventiladas, dentro de los hogares, vehículos, tiendas de campaña, garajes. Este aparato de pélets de madera no debe colocarse debajo de techos o voladizos combustibles. Mantenga la barbacoa en un área libre de materiales combustibles, gasolina y otros vapores y líquidos inflamables.

**En caso de un fuego de grasa, debe apagar el asador y hasta que se apague el fuego. No arroje agua sobre el fuego. No trate de sofocar el fuego. Es muy recomendable mantener cerca un extintor de incendios aprobado para todo tipo de fuego (clase ABC). Si ocurre un incendio sin control, llame al Departamento de Bomberos.**

2. El cilindro de gas licuado de petróleo (LP) debe estar fabricado y marcado de conformidad con las especificaciones para cilindros de gas LP del Departamento de Transporte de Estados Unidos (DOT) o de la Norma Nacional de Canadá, CAN/CSA-B339, Cilindros, Esferas y Tubos para el Transporte de Materiales Peligrosos; y Comisión.
3. Este asador para exteriores no está diseñado para instalarse en/sobre vehículos de recreación o botes

**Nunca utilice este aparato en un espacio cerrado, como una casa rodante, una tienda de campaña, un auto, un bote o una casa. Este aparato no está diseñado para ser utilizado como calefactor, y nunca debe utilizarse como tal.**

4. No se recomienda que este aparato sea utilizado por niños, personas con capacidades físicas, sensoriales o mentales reducidas, o que no tengan suficiente experiencia y conocimientos, a menos que sean supervisados o dirigidos por una persona responsable de su seguridad.
5. Algunas partes del asador podrían estar muy calientes y pueden causar lesiones graves. Mantenga alejados a los niños pequeños y las mascotas mientras la utiliza. No toque las superficies calientes. Use guantes resistentes al calor, pinzas de mango largo o guantes de cocina en todo momento, ya que el asador se calentará mucho.
6. Nunca use el asador sin que el recipiente de grasa esté instalado y colgado bajo la cámara de combustión. Sin el recipiente de grasa la grasa caliente y los residuos podrían gotear hacia el piso y generar un peligro de incendio.
7. No obstruya el flujo de aire de combustión y de ventilación hacia este aparato. Mantenga el tubo del quemador y los orificios de entrada limpios y libres de escombros. Limpie el aparato antes de usarlo. Es necesario darle cuidado y mantenimiento regular a su unidad para prolongar su vida útil.
8. Siempre busque fugas de gas cuando conecto y desconecte el regulador del cilindro de gas, especialmente después de un período de almacenamiento (por ejemplo, después del invierno). Revise todas las conexiones con una solución de agua jabonosa y una brocha para detectar fugas. Nunca busque fugas usando una llama.
9. Limpie e inspeccione el regulador de gas antes de cada uso del asador a gas para exteriores. Reemplace el regulador de gas antes de usarlo si existe alguna evidencia de abrasión o desgaste excesivo. Solamente use el conjunto de regulador de gas que viene incluido con este asador. No use un regulador de otro fabricante.

**No use rocas volcánicas, trozos de madera, carbón, iniciador de flama líquido, alcohol u otros productos químicos similares para encender o volver a encender el asador. Mantenga estas sustancias y líquidos lejos del aparato mientras lo utiliza.**

10. Use este aparato exclusivamente con gas licuado de petróleo, según se especifica en la etiqueta informativa de la unidad. No intente usar su asador con otros gases. No intente convertir esta unidad de gas LP a gas natural. No cumplir con esta advertencia podría causar incendios y lesiones corporales, y anulará su garantía.

## **ADVERTENCIAS SOBRE EL GAS PROPANO**

1. Asegúrese de comprar el cilindro de gas de un distribuidor acreditado. Un tanque de gas LP que se haya llenado incorrectamente o en exceso puede ser peligroso. El llenado excesivo, combinado con el calentamiento del tanque de gas LP (un día caluroso de verano, dejar el tanque bajo el Sol, etc.) puede hacer que el gas LP se escape, ya que el aumento de temperatura hace que el gas se expanda. El gas liberado del cilindro es inflamable y puede ser explosivo.
2. No use un cilindro de gas LP si tiene una válvula dañada o muestra abolladuras, bultos, boquetes, daños por fuego, corrosión, fugas, oxidación excesiva, u otros daños visibles en el exterior; puede ser peligroso y debe ser revisado de inmediato por un proveedor de propano líquido

**Si observa, huele o escucha el silbido del gas escapando del cilindro, no intente encender el aparato. Apague todas las llamas. Desconecte la alimentación de combustible.**

3. No conecte ni desconecte el cilindro de gas mientras la unidad está en uso o sigue caliente. Cuando no esté usando el asador, asegúrese de que la perilla del regulador esté en la posición de APAGADO y desconecte el cilindro de gas. Nunca mueva ni transporte la unidad mientras el cilindro de gas está conectado. No almacene un cilindro de gas LP de repuesto debajo del aparato, ni cerca de él.
4. Los cilindros deben almacenarse al aire libre fuera del alcance de los niños y no deben almacenarse en un edificio, garaje o cualquier otra área cerrada.

## MONÓXIDO DE CARBONO ("EL ASESINO SILENCIOSO")

Siempre use los aparatos de gas al aire libre en un área abierta con buena ventilación, para evitar respirar los vapores gases tóxicos de la combustión o fugas del gas. El monóxido de carbono es un gas incoloro, inodoro e insípido que se produce al quemar gas, madera, propano, carbón y otros combustibles. El monóxido de carbono reduce la capacidad de la sangre para transportar oxígeno. Los niveles bajos de oxígeno en la sangre pueden causar dolor de cabeza, mareos, debilidad, náuseas, vómitos, somnolencia, confusión, pérdida de la conciencia y muerte. Siga estas instrucciones para evitar que este gas incoloro e inodoro lo intoxique a usted, a su familia o a otras personas:

- Consulte a un médico si usted u otras personas presentan síntomas de resfriado o gripe mientras cocinan o en los alrededores del aparato. La intoxicación por monóxido de carbono, que puede confundirse fácilmente con gripe o resfriado, con frecuencia se detecta demasiado tarde.
- El consumo de alcohol y drogas aumenta los efectos de la intoxicación por monóxido de carbono.

El monóxido de carbono es especialmente tóxico para madres e hijos durante el embarazo, así como para los bebés, los ancianos, los fumadores y las personas con problemas de la sangre y el sistema circulatorio, como anemia o enfermedades cardíacas.

## REGISTRO DE SEGURIDAD

De acuerdo con los procedimientos y especificaciones enumerados en ANSI Z21.89-2017 · CSA 1.18-2017 "Aparatos de gas especiales para cocinar al aire libre". Los electrodomésticos de cocina Pit Boss® Grills han sido probados y listados de manera independiente por CSA (un laboratorio de pruebas acreditado) según los estándares de CSA.



### AVISO DE DERECHOS DE AUTOR

Copyright 2021. Todos los derechos reservados. Ninguna parte de este manual puede ser copiada, transmitida, transcrita o almacenada en un sistema de respaldo, en ninguna forma y por ningún medio, sin el permiso explícito por escrito de,

#### Dansons

3411 North 5th Avenue, Suite 500, Phoenix, AZ, USA 85013  
sales@pitboss-grills.com | service@pitboss-grills.com  
[www.pitboss-grills.com](http://www.pitboss-grills.com)

#### Servicio al cliente

EE.UU: (480) 923-9630 | Canada (Gratuita): 1-877-942-2246

## ÍNDICE

Información de seguridad .....	34
Conexión a una fuente de gas	
Requisitos de tanque de gas .....	37
Instalación de un tanque de gas .....	37
Desconexión de tanque de gas.....	38
Instrucciones de operación	
Entorno de la plancha .....	38
Preparación para el uso - prueba de hermeticidad.....	39
Primer uso - «Quemado» del asador .....	40
Procedimiento de encendido .....	40
Procedimiento de encendido manual.....	41
Apagar su plancha .....	41
Plegar para el almacenamiento - <b>PB757GD</b> .....	42
Cuidado y mantenimiento .....	43
Consejos y técnicas .....	44
Resolución de problemas .....	45
Piezas de repuesto.....	46
Garantía .....	48



# CONEXIÓN A UNA FUENTE DE GAS

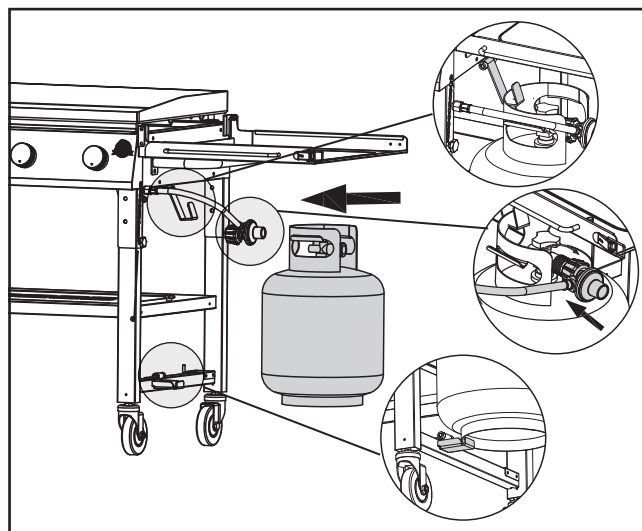
## REQUISITOS DE TANQUE DE GAS

La plancha se establece y prueba solo con gas propano líquido. El regulador suministrado está configurado para una columna de agua (WC) de 27,94 cm (11 pulgadas) y debe usarse solo con gas LP. El regulador y la manguera suministrados de fábrica deben usarse con un tanque de gas LP de 9 kg (20 lb). **Póngase en contacto con su proveedor de gas si desea un regulador especial de gas a granel que alimente otros aparatos.**

**PRECAUCIÓN:** es importante inspeccione la manguera de la línea de gas en toda su longitud. Si la abrasión o el desgaste excesivo son evidentes, o bien la manguera presenta algún corte, esta debe sustituirse antes de usar el aparato.

## INSTALACIÓN DE UN TANQUE DE GAS

1. Desde el costado del carrito, coloque el anillo del pie del tanque de 9 kg (20 lbs) en el soporte del tanque de gas. Asegúrese de que la válvula del tanque esté en posición OFF (apagado). Use el perno del tanque para asegurar el tanque en una posición fija. Asegúrese de que el tanque esté en posición completamente vertical, ya que no es seguro manipular la barbacoa si el tanque de gas no se instala correctamente.
2. Asegúrese de que la válvula del regulador de la barbacoa esté completamente cerrada y para ello gire la perilla hacia la derecha hasta la posición OFF (apagado).
3. Retire las tapas protectoras de la apertura de la válvula del regulador y la parte superior del tanque de gas. Guarde las tapas.
4. Inserte la válvula del tanque de gas en la apertura roscada de la válvula del regulador. Gire el tanque hacia la derecha hasta que esté firme. Apriete solo manualmente.
5. El tanque de gas ya está instalado.



La barbacoa de exteriores, una vez instalada, debe tener una conexión eléctrica a tierra de conformidad con los códigos locales o, en ausencia de estos, con el Código de electricidad nacional ANSI/NFPA 70 o el Código de electricidad canadiense, CSA C22.1.

1. No guarde un tanque de gas licuado de repuesto debajo o cerca de este aparato.
2. Nunca llene el tanque por encima del 80 por ciento de su capacidad.
3. Si no se sigue exactamente la información en 1) y 2), puede producirse un incendio que dé lugar a lesiones graves o incluso la muerte.
4. Coloque una tapa guardapolvo en la salida de la válvula del tanque siempre que este no esté en uso. Instale solamente el tipo de tapa guardapolvo en la salida de la válvula del tanque que se suministre con la válvula del tanque. Otros tipos de tapas o taponés pueden dar lugar a fugas de propano.

## DESCONEXIÓN DE TANQUE DE GAS

1. Asegúrese de que la válvula del regulador de la barbacoa esté completamente cerrada y para ello gire la perilla hacia la derecha hasta la posición OFF (apagado).
2. Gire (manualmente) el tanque hacia la izquierda para desconectarlo de la apertura de la válvula del regulador. Coloque las tapas protectoras en la apertura de la válvula del regulador y la parte superior del tanque de gas para su almacenamiento (si no está vacío).

**NOTA: si guarda la barbacoa en el interior, deje fuera el tanque de gas.**

**ADVERTENCIA: no pliegue ni transporte la barbacoa con el tanque de gas conectado. El tanque puede aflojar la válvula y producir una fuga de gas, y posiblemente dé lugar a una explosión, incendio o lesión corporal grave. Desconecte el tanque de gas antes de transportarlo o almacenarlo.**

## INSTRUCCIONES DE OPERACIÓN

### ENTORNO DE LA PLANCHA

#### 1. *DÓNDE INSTALAR LA PLANCHA*

Como en todos los aparatos de uso exterior, las condiciones meteorológicas juegan un papel importante en el funcionamiento de la barbacoa y el tiempo de cocción necesario para que las comidas salgan perfectas. Todas las unidades Pit Boss® Grills deben guardar una distancia mínima de 1,270 mm (50 pulgadas) con los recipientes de combustible y esta distancia debe mantenerse mientras la barbacoa esté en uso. Este aparato no debe colocarse debajo de un techo o voladizo combustible. Mantenga la barbacoa en un área sin materiales combustibles, gasolina y otros vapores y líquidos inflamables.

#### 2. *COCINA EN CLIMAS FRÍOS*

As it becomes cooler outside, that does not mean that grilling season is over! The crisp cool air and heavenly aroma of grilled foods will help cure your winter blues. Follow these suggestions on how to enjoy your grill throughout the cooler months:

- Organícese – Prepare todo lo que necesitará en la cocina antes de salir al exterior. Durante el invierno, mueva su asador a un área que esté a cubierto del viento y el frío directo. Revise las ordenanzas locales sobre la proximidad del asador a su hogar y/o a otras estructuras. Ponga todo lo que necesita en una bandeja, ¡abrigúese bien y hágalo!
- Para ayudarle a tener el control de la temperatura exterior, coloque un termómetro para exteriores cerca del área en la que cocina. Lleve una bitácora o diario de lo que cocinó, la temperatura exterior y el tiempo de cocido. Esto le ayudará en el futuro para determinar qué cocinar y cuánto se tardará.
- Tenga un hornillo o una cubierta listos para mantener su comida caliente mientras la lleva al interior.

#### 3. *COCINA EN CLIMAS CALIENTES*

Conforme esté más caliente en el exterior, el tiempo de cocción se reducirá. Aproveche estas sugerencias para disfrutar de su asador durante los meses cálidos:

- Ajuste sus temperaturas de cocción a la baja. Esto ayuda a evitar las llamaradas indeseables.
- Use un termómetro de carnes para determinar la temperatura interna de sus comidas. Esto ayuda a evitar que su carne se cocine demasiado y se seque.
- Puede mantener las comidas calientes envolviéndolas en papel aluminio y colocándolas en un recipiente con aislamiento térmico. Coloque bolas de papel periódico alrededor del papel aluminio y esto mantendrá la comida caliente de 3 a 4 horas.

## PREPARACIÓN PARA EL USO – PRUEBA DE HERMETICIDAD

Se realiza una prueba de hermeticidad para determinar la integridad de un sello. Antes de usar su asador a gas, haga una prueba de hermeticidad en la conexión entre el regulador y el cilindro de gas para reducir el riesgo de lesiones o muerte debido a un incendio o una explosión. Debe realizar una prueba de hermeticidad por lo menos una vez por estación del año, y además:

- antes de encender su asador por primera vez.
- cada vez que cambie el cilindro de gas,
- después de trasladarlo, sobre todo en caminos de terracería o en mal estado,
- después de un período prolongado de almacenamiento o falta de uso.

### **CÓMO HACER UNA PRUEBA DE HERMETICIDAD**

#### **Materiales requeridos:**

- 1 x Tazón (*vacío, limpio*)
  - 1 x Brocha de pintura (*limpia*)
- Detergente para vajilla  
Agua



**Esté atento a las burbujas**

#### **Procedimiento:**

1. Coloque el asador en un lugar ventilado. Asegúrese de que el asador está frío al tacto y no esté encendido. Verifique que la válvula del regulador esté en la posición de APAGADO y que el cilindro de gas está bien sujeto al regulador.

**IMPORTANTE: Asegúrese de que no haya fuego ni personas fumando cerca.**

2. Mezcle una solución con una parte de agua y una parte de detergente para vajilla en un tazón. La solución formará burbujas, ya que estará concentrada.
3. Use una brocha para aplicar la solución sobre el sello que está entre el regulador y el cilindro de gas. Inspeccione visualmente si aparece una serie de burbujas de un defecto u orificio en el sello.

**NOTA: Si aparece una fuga, repita el procedimiento de instalación del cilindro de gas, pero sin apretar demasiado. Apriete solamente con la mano. Repita la prueba de hermeticidad después de volver a instalar para asegurarse de que el sello es seguro.**

**IMPORTANTE: No use el asador a gas si detecta una fuga de gas que no pueda corregir con el procedimiento de prueba de hermeticidad. Llame al Departamento de Bomberos de su localidad o a Servicio al Cliente para preguntar otras maneras de hacer pruebas para garantizar las precauciones apropiadas.**

## PRIMER USO - «QUEMADO» DEL PLANCHA

Antes de usar su plancha por primera vez con alimentos, es importante hacer un "quemado" completo. Encienda la plancha y opere por un mínimo de 15 minutos en ALTO para quemar la unidad. Esto "limpiará con calor" los componentes internos, disipará los olores y eliminará cualquier materia extraña.

### PROCEDIMIENTO DE ENCENDIDO

1. Verifique que todas las perillas de control estén en la posición de apagado
2. Conecte el cilindro de gas LP según las instrucciones. Gire la válvula del tanque de gas licuado a la posición ABIERTO.
3. Observe el marcador indicativo en la perilla de control. Mantenga presionado el botón de control de la plancha y gire 90 grados (o 1/4) en sentido contrario a las agujas del reloj LENTAMENTE (2 a 3 segundos) hasta ALTO. Debería oír un sonido de "clic" que indique una chispa del encendedor y buscar la llama para asegurarse de que el quemador está encendido. Si no lo hace, repítalo hasta tres veces.
4. Si la ignición no se produce en cinco segundos, gire el mando de control a la posición de APAGADO, espere cinco minutos y repita el procedimiento de encendido. Si las indicaciones anteriores no funcionan, siga las instrucciones del **Procedimiento de encendido manual**.
5. Después de que el quemador se haya encendido, ¡está listo para disfrutar de su plancha a la temperatura deseada!

**Si el quemador se apaga durante el funcionamiento, gire los mandos de control a la posición APAGADO. Espere cinco minutos antes de intentar encenderlo de nuevo para permitir que el gas acumulado se disipe.**

### PROCEDIMIENTO PARA FALLAS DEL ENCENDEDOR

**Si por alguna razón su encendedor no enciende después de tres o cuatro intentos, verifique los siguientes pasos, o encienda su asador con el método manual.**

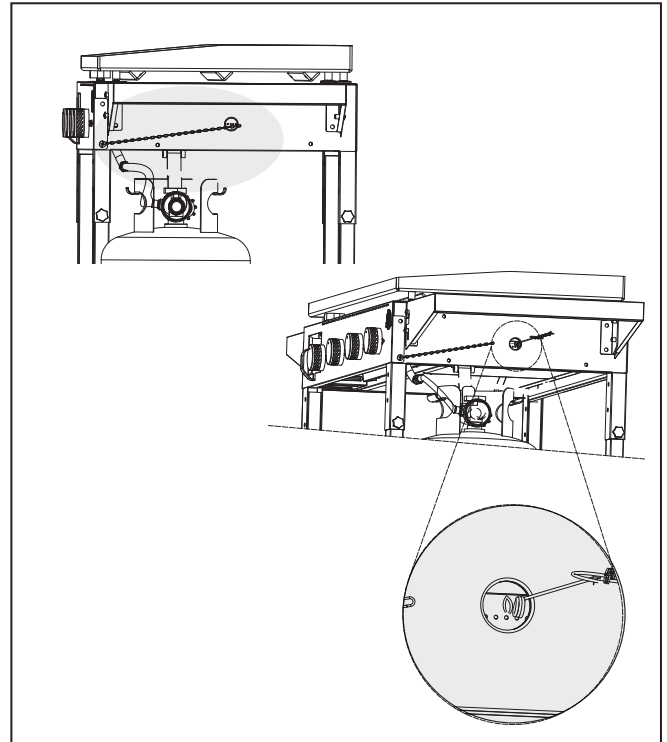
1. Asegúrese de que la perilla del regulador esté en la posición de APAGADO. Deje que el gas acumulado se disipe.
2. Después de cinco minutos, revise lo siguiente:
  - Confirme visualmente que el encendedor está funcionando, oprimiendo el botón del encendedor y observando si hay chispas en la punta del encendedor. De no observar chispas, ajuste la distancia entre la punta del encendedor (electrodo) y el quemador a 4.5 mm (3/16 pulg).
  - Confirme visualmente que el tubo del quemador y los orificios de entrada no estén obstruidos. En caso de que estén obstruidos, siga las instrucciones de **Cuidado y mantenimiento**.
3. Si los puntos anteriores no funcionan, siga las instrucciones de la sección **Solución de problemas**.

## PROCEDIMIENTO DE ENCENDIDO MANUAL

1. Verifique que todas las perillas de control estén en la posición de apagado.
2. Conecte el cilindro de gas LP según las instrucciones. Gire la válvula del tanque de gas licuado a la posición ABIERTO.
3. Observe el marcador indicativo en la perilla de control. Presione la perilla del regulador y gire 90 grados (o 1/4) en sentido contrario a las agujas del reloj a ALTO.
4. Rápida y cuidadosamente, use una cerilla encendida asegurada con la varilla de encendido (incluida con la parrilla) para encender los quemadores. Acceda a los quemadores a través de la parrilla de cocina y la placa caliente. Coloque la cerilla encendida cerca del lado del quemador. No intente encender otra zona del quemador. Puede lesionarse.

**NOTA: no use alcohol, líquido para encendedores o queroseno para encender o refrescar un fuego en su plancha.**

5. Después de que el quemador se haya encendido, ¡está listo para disfrutar de su plancha a la temperatura deseada!



## APAGAR SU PLANCHA

1. Cuando termine de cocinar, gire la válvula del tanque de gas LP a la posición CERRADA y permita que la perilla del regulador salga. Esta característica de seguridad bloquea la perilla del regulador para asegurar que el gas ya no fluya.
2. Gire todas la perillas de control hacia la derecha a la posición OFF (apagado).

**NOTA: es normal oír un sonido "puf" cuando se queman los restos del gas licuado.**

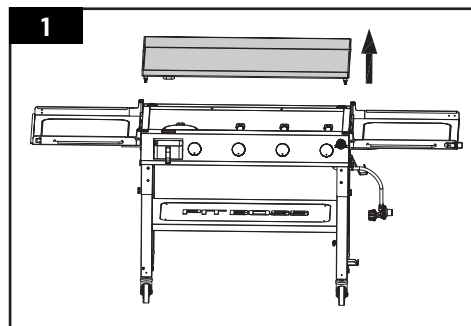
3. Desconecte el tanque de gas licuado de acuerdo con la sección **Desconectar el tanque de gas licuado**.

**ADVERTENCIA: deje enfriar la barbacoa por completo y retire el tanque de gas antes de mover la unidad, de viajar con ella o de guardarla.**

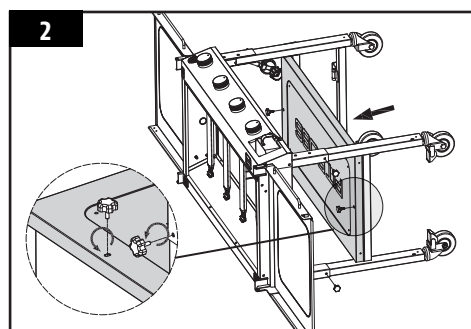
## PLEGAR PARA EL ALMACENAMIENTO - PB757GD

Su plancha se puede plegar rápida y fácilmente para su almacenamiento y fácil transporte. Para plegar y guardar su plancha de forma segura, simplemente siga las instrucciones de desmontaje o el siguiente resumen:

1. Cuidadosamente, levante la placa caliente de la cámara de combustión. Esto es más fácil con dos personas, pero no es necesario.

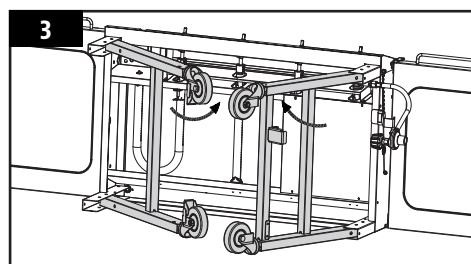


2. Coloque el cámara de combustión de costado con los perillas de control en la parte superior. Quite los dos pernos del estante inferior. Quite el estante inferior.

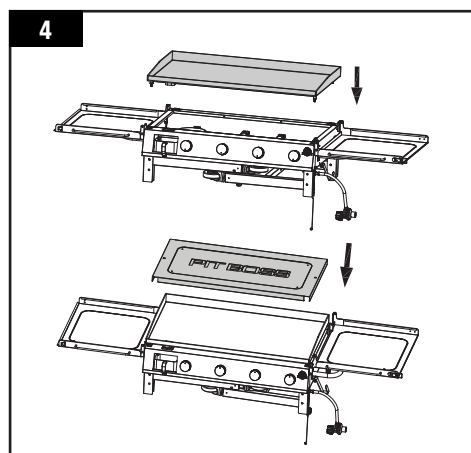


3. Afloje los cuatro pernos, uno en cada pata. Tire hacia atrás de los pasadores del sistema de cierre para doblar las patas del carro y así plegarlo.

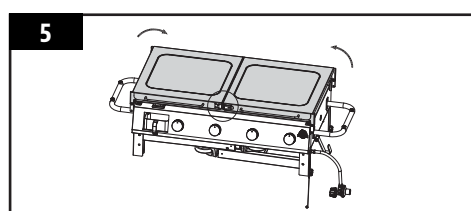
**NOTA: para no perderlos, vuelva a colocar los pernos en el carro y en el estante inferior una vez que aquel esté completamente plegado.**



4. levante cuidadosamente la unidad en posición vertical con las ruedas en la parte inferior. Vuelva a colocar la placa caliente en la parte superior de la cámara de combustión. Coloque el estante de abajo en la placa caliente.



5. Cierre los estantes laterales y bloquee el pestillo delantero.



# CUIDADO Y MANTENIMIENTO

## REVISIÓN DEL NIVEL DE GAS

Para revisar la cantidad de combustible en el cilindro de gas LP, el asador debe estar en operación. Coloque su mano en la parte superior del tanque y deslícela lentamente hacia abajo hasta que el tanque se sienta frío al tacto. Esto indicará la cantidad aproximada de gas en su tanque; si está  $\frac{3}{4}$  vacío, reemplácelo con un tanque lleno

**IMPORTANTE: No use briquetas de carbón ni otro material inflamable en su asador. El uso de estos materiales anulará su garantía y podría causar un incendio, explosión o lesiones corporales.**

## FRECUENCIA DE LIMPIEZA

Todas las unidades Pit Boss® Grills le darán muchos años de delicioso servicio con un mínimo de limpieza. Siga estas indicaciones de mantenimiento y limpieza para dar servicio a su asador:

### 1. COMPONENTES DEL QUEMADOR

- Limpie el quemador siempre que detecte una gran acumulación, para asegurarse de que no hay signos de obstrucción (escombros, insectos) en el tubo del quemador o en los orificios del mismo. Después de algunos períodos de almacenamiento, las arañas o pequeños insectos pueden construir nidos, telarañas y poner huevos en el tubo del quemador, lo que obstruye el flujo de gas hacia el mismo. Si va a guardar la plancha o antes de un período prolongado sin usarla, retire el quemador y envuélvalo con papel de aluminio para reducir el riesgo de que los insectos entren en los agujeros del quemador.
- El quemador se ha preestablecido para un rendimiento óptimo de la llama. Una llama azul, posiblemente con una pequeña punta amarilla, es el resultado de la mezcla óptima de aire y gas. Si las llamas son excesivamente amarillas, anaranjadas o irregulares, limpie los depósitos de aceite y alimentos de la superficie del quemador y de las aberturas del quemador para aumentar el flujo de aire.

### 2. SUPERFICIE DE LA PLANCHA

- Su plancha viene presazonada de fábrica, pero es importante limpiarla y sazónarla después de cada uso para evitar la oxidación, prolongar la vida útil de su plancha y crear una superficie de cocinado antiadherente. El sazonado de su plancha es un proceso continuo que debe repetirse durante la vida útil de la misma para asegurar la mejor experiencia de cocinado y la mayor duración de su plancha.
  1. Limpie la plancha después de cada uso, usando una espátula o un raspador para quitar toda la comida y los restos de la superficie de cocinado.
  2. Aplique una capa uniforme de aceite de cocina en la superficie de cocinado. Los aceites vegetales, de oliva, de cacahuete, de coco y de sésamo son adecuados para sazónar la plancha.
  3. Apague la plancha y deje que se enfríe en un lugar fresco y seco.
- Elimine cualquier alimento o acumulación de la superficie de cocinado. Lo mejor es hacerlo mientras aún está caliente después de un uso anterior. Los incendios por grasa los causa la caída de demasiados desechos en los componentes de la plancha. Limpie el interior de su plancha de forma sistemática. En el caso de que se produzca un incendio por grasa, retire con cuidado la comida y apague la plancha. Esparza un poco de bicarbonato de soda, si lo tiene a mano.
- Revise su recipiente de grasa a menudo y límpielo si es necesario. Tenga en cuenta el tipo de alimentos que se cocinan.
- ¡Use una cubierta de asador para darle una mayor protección a su asador! Una cubierta es la mejor protección contra el tiempo y los contaminantes externos. Cuando no lo use, o para almacenarlo por períodos prolongados, mantenga el asador bajo una cubierta en una cochera o cobertizo, después de quitar el cilindro de gas (que debe almacenarse en exteriores).



**TABLA DE FRECUENCIA DE LIMPIEZA (USO NORMAL)**

ARTÍCULO	FRECUENCIA DE LIMPIEZA	MÉTODO DE LIMPIEZA
Superficie de cocción	Después de cada uso	Queme el exceso, el estropajo y el agua jabonosa, sazone con aceite de cocina
Recipiente de grasa	Después de cada uso	Vaciar, fibra de limpieza y agua jabonosa
Tubo del quemador, orificios de entrada	Cada 5-6 usos	Sacudir, fibra de limpieza y agua jabonosa
Supresores de llama	Cada 5-6 usos	Fibra de limpieza y agua jabonosa
Quemadores	Cada 5-6 usos	Fibra de limpieza y agua jabonosa

## CONSEJOS Y TÉCNICAS

Siga estas prácticas sugerencias y técnicas que nos han hecho llegar propietarios de productos Pit Boss®, nuestros empleados y clientes como usted, para familiarizarse con la barbacoa:

### 1. SEGURIDAD ALIMENTARIA

- Mantenga limpios todos los elementos de cocina y la zona de cocina. Para la carne cocinada use fuentes y utensilios diferentes a los que haya usado para preparar o transportar la carne cruda a la barbacoa. De esa manera evitar la contaminación cruzada de bacterias. Use un utensilio distinto para cada adobo o salsa.
- Mantenga calientes los alimentos calientes (más de 60 °C/140 °F) y fríos los alimentos fríos (menos de 3 °C/37 °F). Los alimentos cocinados no deben permanecer fuera a altas temperaturas durante más de una hora. No deje los alimentos calientes fuera de la nevera durante más de dos horas.
- No guarde nunca el resto de un adobo para usar en otra ocasión. Si lo va a servir con la carne, asegúrese de que hierva antes de servirlo.
- Descongele y macere las carnes mediante refrigeración. No descongele carne a temperatura ambiente o en una encimera. Las bacterias pueden aumentar y multiplicarse rápidamente en los alimentos calientes y húmedos. Lávese bien las manos con agua jabonosa después de comenzar a preparar la comida y después de manipular carne, pescado y aves crudas.

### 2. PREPARACIÓN PARA COCINAR

- Prepárese, o dicho de otro modo **manos a la obra**. Con esto nos referimos a estar preparados para la receta de cocina y disponer del combustible, los accesorios, utensilios y todos los ingredientes que necesite cerca de la barbacoa antes de empezar a cocinar. También conviene leer la receta completa, de principio a fin, antes de encender la barbacoa.
- Una alfombrilla para barbacoas también es muy práctica. Debido a los accidentes que se producen al cocinar alimentos y a las salpicaduras, una esterilla para barbacoas protegerá cualquier suelo, patio o plataforma de piedra contra posibles manchas de grasa o derramamientos accidentales.

### 3. CONSEJOS Y TÉCNICAS PARA COCINAR EN LA BARBACOA

- Use siempre un termómetro para carnes para conocer la temperatura interna de los alimentos que está cocinando. Se recomienda colocar los alimentos cocinados en una fuente precalentada para mantenerlos calientes. A las carnes rojas, como chuletones y asados, les va bien dejarlos reposar varios minutos antes de servir. Permite que los jugos que el calor hizo salir a la superficie vuelvan al centro de la carne y les añadan sabor.
- Las salsas con azúcar es mejor aplicarlas al final de la cocción para impedir fuegos y llamaradas inesperadas.
- Use un juego de tenazas de mango largo para voltear la carne y una espátula para voltear hamburguesas y pescado. Con un utensilio perforador, como un tenedor, puede pinchar la carne para que salga su jugo.

Los accesorios están disponibles para su compra por separado. Póngase en contacto con su distribuidor local autorizado de Pit Boss® o visite [www.pitboss-grills.com](http://www.pitboss-grills.com).

# RESOLUCIÓN DE PROBLEMAS

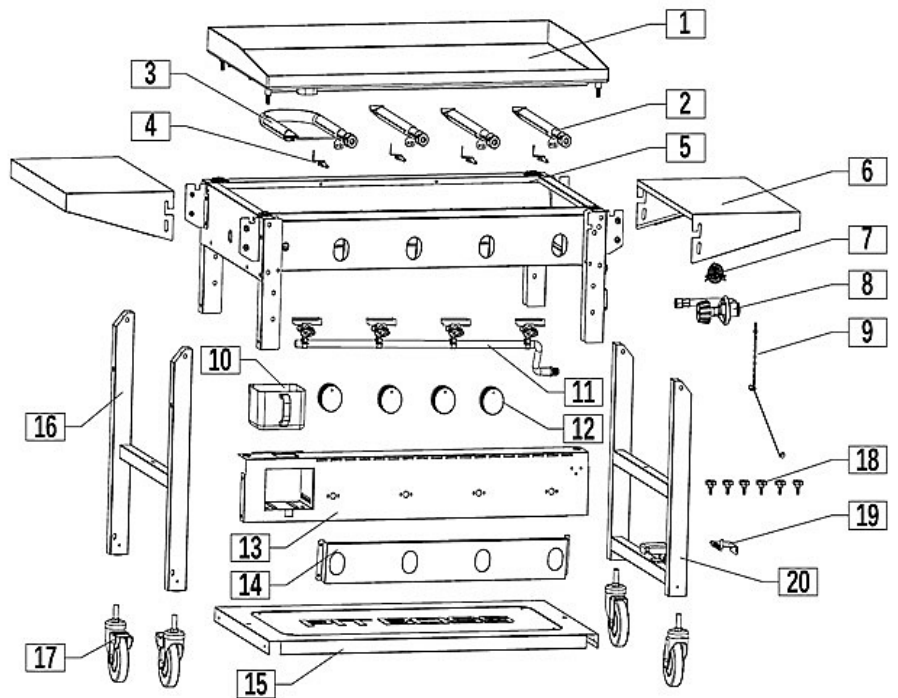
Una limpieza adecuada, mantenimiento y el uso de combustible limpio, seco y de calidad impedirán que surjan los problemas de funcionamiento más comunes. Cuando la barbacoa Pit Boss® no funcione bien, o se use con menor frecuencia, las siguientes sugerencias de solución de problemas pueden resultar útiles. Para consultar las preguntas frecuentes, visite [www.pitboss-grills.com](http://www.pitboss-grills.com). También puede ponerse en contacto con su distribuidor local autorizado de Pit Boss® o bien solicitar asistencia al servicio de Atención al cliente.

**ADVERTENCIA: Asegúrese de que la barbacoa se haya enfriado por completo para evitar lesiones.**

PROBLEMA	CAUSA	SOLUCIÓN
Quemador no se enciende	El cable de ignición está roto	Póngase en contacto con Atención al cliente para solicitar asistencia o recambios.
	La punta del electrodo no produce chispas en el puerto del quemador	Ajuste el electrodo. Póngase en contacto con Atención al cliente para solicitar asistencia o recambios.
	No hay suministro de gas	Compruebe la válvula del regulador. Compruebe si hay fugas en la conexión.
Exceso de llamaradas	Asar carnes grasas	Ase las carnes grasas con las rejillas frías y las perillas en posición "LOW" (bajo). Traslade las carnes a la bandeja para calentar si las llamaradas continúan.
	Temperatura de cocción	Pruebe cocinar a temperatura más baja. La grasa tiene un punto de inflamación. Mantenga la temperatura por debajo de 176 °C/350 °F cuando cocine alimentos muy grasos.
	Agua arrojada sobre las llamas de gas	No arroje agua sobre las llamas de gas.
El quemador se apaga	Sin flujo de gas	Verifique la conexión de combustible de gas y asegúrese de que esté abierta. Reemplace el cilindro de gas si está vacío.
	Ráfagas o vientos fuertes	Aleje el frente de la parrilla del viento o aumente la altura de la llama.
Baja temperatura en la posición "HIGH" (alta)	Los puertos están bloqueados	Elimine las obstrucciones que pueda haber en los puertos.
	Se ha vaciado el tanque de gas	Rellene el tanque de gas.
Fuga de gas	Instalación inadecuada	Gire la perilla del regulador a la posición de APAGADO y permita que salga la perilla del regulador. Retire el cilindro de gas. Reinstalar y apretar. Realice una prueba de fugas para garantizar un sellado adecuado. Reemplace el cilindro de gas si está dañado.
	Fracaso del sello	El cilindro de gas se ha corroído, oxidado o se ha manejado mal. Reemplace el cilindro de gas.
	Falla del regulador	El regulador necesita ser reemplazado. Póngase en contacto con el Servicio al cliente para obtener una pieza de repuesto.
Las llamas del quemador son amarillas o anaranjadas	Flujo de aire pobre	Revise el tubo del quemador y los puertos del quemador en busca de telarañas u otras obstrucciones. Siga las instrucciones de <b>cuidado y mantenimiento</b> para limpiar el tubo del quemador.
	Obstrucción del quemador	
	La taza de grasa está llena, derramando	Vacíe la taza de grasa y vuelva a instalarla. Siga las instrucciones de <b>cuidado y mantenimiento</b> .
	La válvula reguladora está apagada	Verifique la conexión de la válvula reguladora al cilindro de gas. Retire, luego reinstale. Realice la prueba de fugas.
	Quemador esta sucio	Gire la perilla del regulador a ALTA durante cinco minutos y queme la unidad. Siga las instrucciones de <b>cuidado y mantenimiento</b> .

# PIEZAS DE REPUESTO - PB757GS

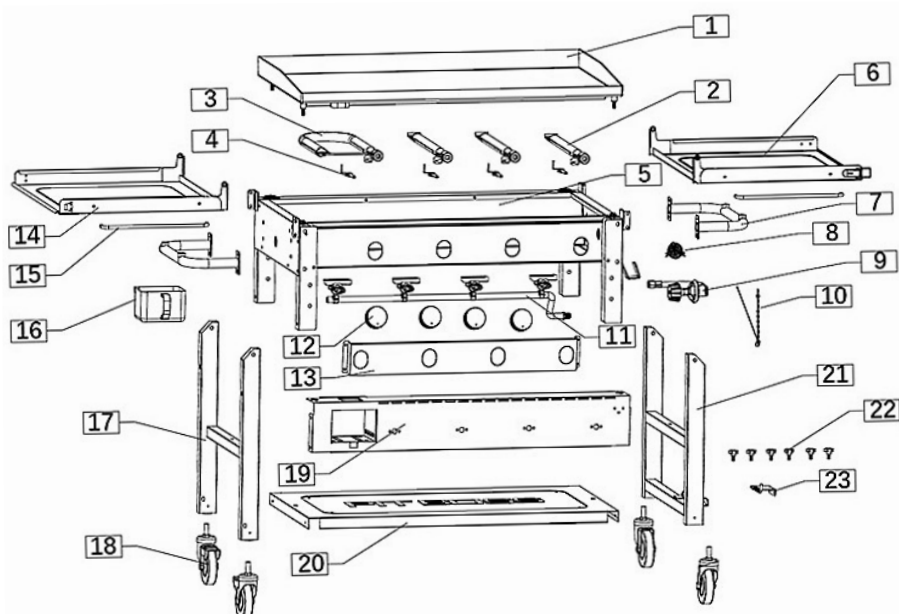
N°	Descripción
1	Placa caliente
2	Quemador principal A: tres por parrilla
3	Quemador principal B
4	Alambre de encendido del quemador principal: cuatro por parrilla
5	Cámara de combustión
6	Estante lateral: dos por parrilla
7	Placa de identificación
8	Ensamblaje del regulador
9	Barra de luces
10	Recipiente de grasa
11	La válvula principal de gas y el conjunto del colector principal
12	Perilla de control de gas: cuatro por parrilla
13	Panel de control
14	Escudo térmico
15	Estante inferior
16	Montaje de la pata del carro, izquierda
17	Avance, bloqueo, cuatro por parrilla
18	Tornillos de la manilla: seis por cada parrilla
19	Pestillo
20	Ensamblaje de la pata del carro, derecha



NOTA: Debido a que los productos están en desarrollo constante, las partes están sujetas a cambios sin previo aviso.

# PIEZAS DE REPUESTO - PB757GD

N°	Descripción
1	Placa caliente
2	Quemador principal A: tres por parrilla
3	Quemador principal B
4	Alambre de encendido del quemador principal: cuatro por parrilla
5	Cámara de combustión
6	Estante del lado derecho
7	Conjunto de manillas laterales: dos por parrilla
8	Placa de identificación
9	Ensamblaje del regulador
10	Barra de luces
11	La válvula principal de gas y el conjunto del colector principal
12	Perilla de control de gas: cuatro por parrilla
13	Escudo térmico
14	Estante del lado izquierdo
15	Manilla del estante lateral: dos por parrilla
16	Recipiente de grasa
17	Montaje de la pata del carro, izquierda
18	Avance, bloqueo, cuatro por parrilla
19	Panel de control
20	Estante inferior
21	Ensamblaje de la pata del carro, derecha
22	Tornillos de la manilla: seis por cada parrilla
23	Pestillo



NOTA: Debido a que los productos están en desarrollo constante, las partes están sujetas a cambios sin previo aviso.

# GARANTÍA

## CONDICIONES

Todos los planchas a gas Pit Boss® Grills, fabricados por Dansons, tienen una garantía limitada a partir de la fecha de venta solo para el comprador original. La cobertura de la garantía comienza en la fecha original de compra y es necesario un comprobante de la fecha de la compra o una copia de la factura original de compra para validar la garantía. Los clientes deberán cubrir el costo de los repuestos, manejo y envío si no pueden proporcionar el comprobante de compra o si la garantía ha expirado. Dansons ofrece una garantía por dos (2) años contra defectos de materiales y mano de obra en todas las piezas. Dansons garantiza que todas las piezas están libres de defectos materiales y de mano de obra, para el período de uso y propiedad del comprador original. La garantía no cubre daños por desgaste normal, tales como rasguños, abolladuras, muescas o fisuras menores superficiales. Estos cambios estéticos en el asador no afectan su rendimiento. La reparación o reemplazo de cualquier pieza no extiende el período de garantía limitada más allá de dos (2) años a partir de la fecha de compra.

Durante el período de la garantía, la obligación de Dansons se limitará solo a suministrar un reemplazo para componentes defectuosos o que presenten fallas. Durante el período de garantía, Dansons no cobrará por la reparación o reemplazo de piezas devueltas, con envío pagado previamente, si considera que las piezas son defectuosas luego de haberlas examinado. Dansons no será responsable de costos de transporte, mano de obra o derechos de exportación. Salvo por lo establecido en estas condiciones de la garantía, la reparación o reemplazo de piezas, de la manera y durante el período aquí mencionados, constituye el cumplimiento de todas las responsabilidades y obligaciones, directas y derivadas, de Dansons hacia usted. Dansons hace todo lo posible por utilizar materiales que retarden la oxidación. Incluso con estas precauciones, diferentes sustancias y condiciones fuera del control de Dansons pueden afectar los recubrimientos protectores. Las temperaturas altas, la humedad excesiva, el cloro, los humos industriales, los fertilizantes, los pesticidas de jardín y la sal son algunas de las sustancias que pueden afectar los recubrimientos del metal. Por estas razones, la garantía no cubre corrosión ni oxidación, a menos que exista una pérdida de la integridad estructural de los componentes del asador. Si ocurre alguna de las condiciones anteriores, consulte la sección de cuidado y mantenimiento para prolongar la vida útil de su unidad. Dansons recomienda el uso de una cubierta cuando el asador no esté en uso.

Esta garantía se basa en el uso y servicio doméstico normal del asador, y ninguna garantía limitada se aplica a un asador que se utilice en aplicaciones comerciales.

## EXCEPCIONES

No existe una garantía escrita o implícita de desempeño en los productos de Pit Boss® Grills, ya que el fabricante no tiene control sobre la instalación, la operación, la limpieza, el mantenimiento o el tipo de combustible utilizado. Esta garantía no aplicará, y Dansons no asumirá ninguna responsabilidad, si su aparato no se instaló, operó, limpió o mantuvo en estricto cumplimiento con este manual del propietario. Cualquier uso de gas que no se explique en este manual puede anular la garantía. La garantía no cubre daños ni fallas debidas al mal uso, manejo inapropiado o modificaciones.

Ni Dansons ni el distribuidor autorizado de Pit Boss® Grills asumen responsabilidad alguna, jurídica o de otro tipo, por los daños accidentales o consecuentes a los bienes o las personas debido al uso de este producto. Si se inicia una demanda contra Dansons con base en una infracción de esta garantía o de cualquier otro tipo de garantía explícita o implícita por la ley, el fabricante de ninguna manera será responsable de cualquier daño especial, indirecto o consecuente, ni por otros daños de cualquier naturaleza, por encima del precio original de compra de este producto. Todas las garantías del fabricante se especifican en este documento y no se puede realizar ninguna demanda contra el fabricante por cualquier garantía o representación.

Algunos estados no permiten la exclusión o limitación de daños incidentales o consecuentes, o limitaciones de garantías implícitas, así que las limitaciones o exclusiones especificadas en esta garantía limitada podrían no aplicar para usted. Esta garantía limitada le da derechos jurídicos específicos y usted podría tener otros derechos, los cuales varían de estado a estado.

## PEDIDO DE PIEZAS DE REPUESTO

Para realizar pedidos de piezas de repuesto, póngase en contacto con su distribuidor local de Pit Boss® o visite nuestra tienda en línea en: [www.pitboss-grills.com](http://www.pitboss-grills.com)

## PÓNGASE EN CONTACTO CON ATENCIÓN AL CLIENTE

Si tiene cualquier duda o problema, póngase en contacto con la Atención al cliente.

[service@pitboss-grills.com](mailto:service@pitboss-grills.com) | EE.UU: (480) 923-9630 | Canada (Gratuita): 1-877-942-2246

## SERVICIO DE GARANTÍA

Póngase en contacto con su distribuidor de Pit Boss® más cercano para reparaciones o piezas de repuesto. Danson's exige una prueba de compra para establecer la reclamación de garantía; por lo tanto, conserve su resguardo o factura de ventas original para referencia futura. Encontrará el número de serie y modelo de la Pit Boss® en la parte posterior. Tome nota de los números que se indican a continuación ya que la etiqueta puede desgastarse o volverse ilegible.

---

MODELO

---

NÚMERO DE SERIE

---

FECHA DE COMPRA

---

DISTRIBUIDOR AUTORIZADO

# IMPORTANT

## DO NOT RETURN PRODUCT TO STORE

For all questions, comments, or inquiries, please contact Dansons our Customer Care department.

USA: (480) 923-9630

CANADA (TOLL FREE): 1-877-942-2246

service@pitboss-grills.com

# IMPORTANT

## NE RETOURNEZ PAS LE PRODUIT AU MAGASIN

Pour toutes questions, commentaires ou demandes de renseignements, veuillez communiquer avec le service à la clientèle de Dansons.

ÉTATS-UNIS : (480) 923-9630

CANADA (SANS FRAIS) : 1-877-942-2246

service@pitboss-grills.com

# ¡IMPORTANTE!


## NO DEVUELVA EL PRODUCTO A LA TIENDA


Para todas las preguntas, comentarios o consultas, comuníquese con el departamento de atención al cliente de Dansons..


EE.UU: (480) 923-9630

CANADA (GRATUITA): 1-877-942-2246

service@pitboss-grills.com

 **WARNING:** Combustion of propane gas can expose you to chemicals including formaldehyde, which is known to the State of California to cause cancer, and carbon monoxide, which is known to the State of California to cause birth defects or other reproductive harm. For more information go to [WWW.P65WARNINGS.CA.GOV](http://WWW.P65WARNINGS.CA.GOV)

 **AVERTISSEMENT :** La combustion du gaz propane peut vous exposer à des produits chimiques incluant le formaldéhyde, connue par l'État de Californie pour causer le cancer, et le monoxyde de carbone, connu par l'État de la Californie comme causant des anomalies congénitales ou autres effets nocifs sur la reproduction. Pour accéder à d'autres informations, rendez-vous à [WWW.P65WARNINGS.CA.GOV](http://WWW.P65WARNINGS.CA.GOV)

 **ADVERTENCIA:** La combustión del gas propano puede exponerlo a sustancias químicas, incluyendo el formaldehído, que el Estado de California sabe que provocan cáncer, y al monóxido de carbono, que el Estado de California sabe que causa defectos congénitos y otros daños reproductivos. Para obtener más información, visite [WWW.P65WARNINGS.CA.GOV](http://WWW.P65WARNINGS.CA.GOV)

MADE IN CHINA | FABRIQUÉ EN CHINE | HECHO EN CHINA



602211007UMV